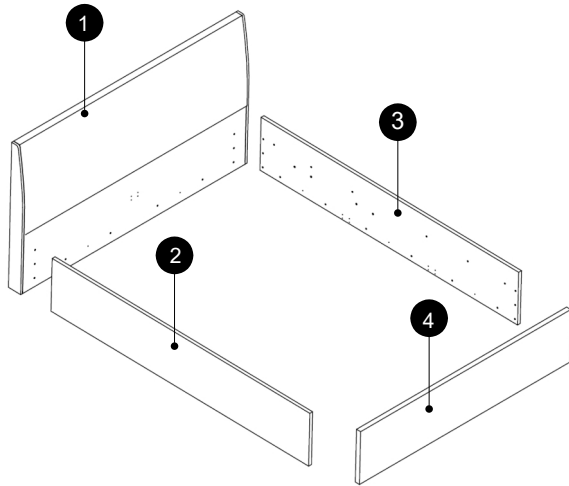
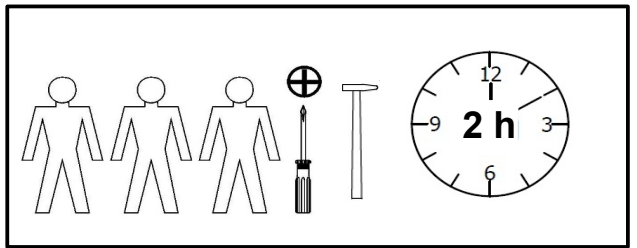
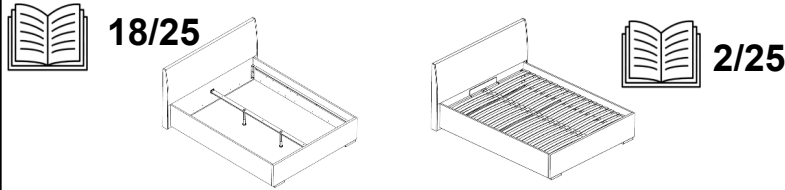
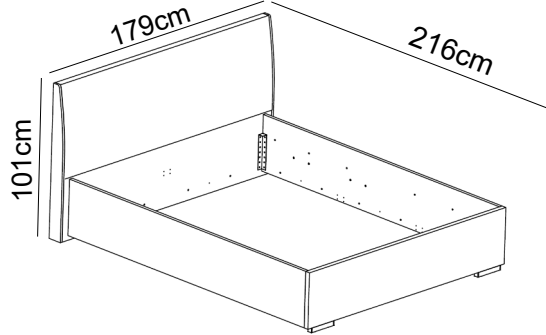


**ASSEMBLY INSTRUCTIONS  
NOTICE DE MONTAGE  
MONTAGEANTEILUNG  
ISTRUZIONI DI MONTAGGIO  
MANUAL DE MONTAJE  
ISTRUCOES DE MONTAGEM  
UPUTE ZA MONTAŽU  
KURULUM TALIMATLAN**

**COSALA III 160x200**

Version:18-09-2024



				PCS	
①	1790	1010	110	1	1/2
②	2000	370	30	1	2/2
③	2000	370	30	1	2/2
④	1650	370	70	1	2/2

BEFORE  
READ THE ATTACHED  
ASSEMBLY  
INSTRUCTIONS

AVANT DE  
COMMENCER, SE  
REPORTER AUX  
CONSEILS  
DE MONTAGE EN  
ANNEXE

AVANTI DI  
COMMINCIARE  
RIPORTATE AGLI  
CONSIGLI DI  
MONTAGGIO

VOR DIE  
MONTAGE, BITTE  
BEILIEGENDE  
ANWEISUNGEN  
FOLGEN

ANTES DE EMPEZAR  
CONSULTE LOS  
CONSEJOS PARA EL  
MONTAJE

ANTES DE  
COMERCAR, ADIARSE  
AOS CONSELHOS DE  
MONTAGEM EM ANEXO

PRIJE POČETKA  
MONTAŽE  
MOLIMO PAŽLJIVO  
UPUTE  
ZA MONTAŽU

MONTAJ TALIMATLARI  
TESLIM ÖNCE OKUYUN  
LÜTFEN

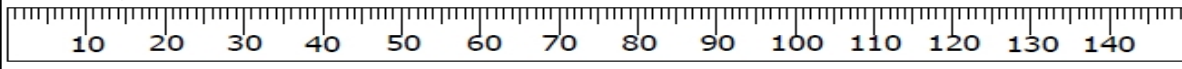
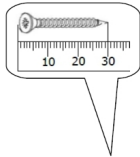
OSTRZEŻENIE: Dostępne kable, przewody elektryczne, sznury, wstążki itp. stanowią zagrożenie uduszeniem dla małych dzieci. Dostępne elementy tego rodzaju powinny zawsze znajdować się poza zasięgiem małych dzieci.

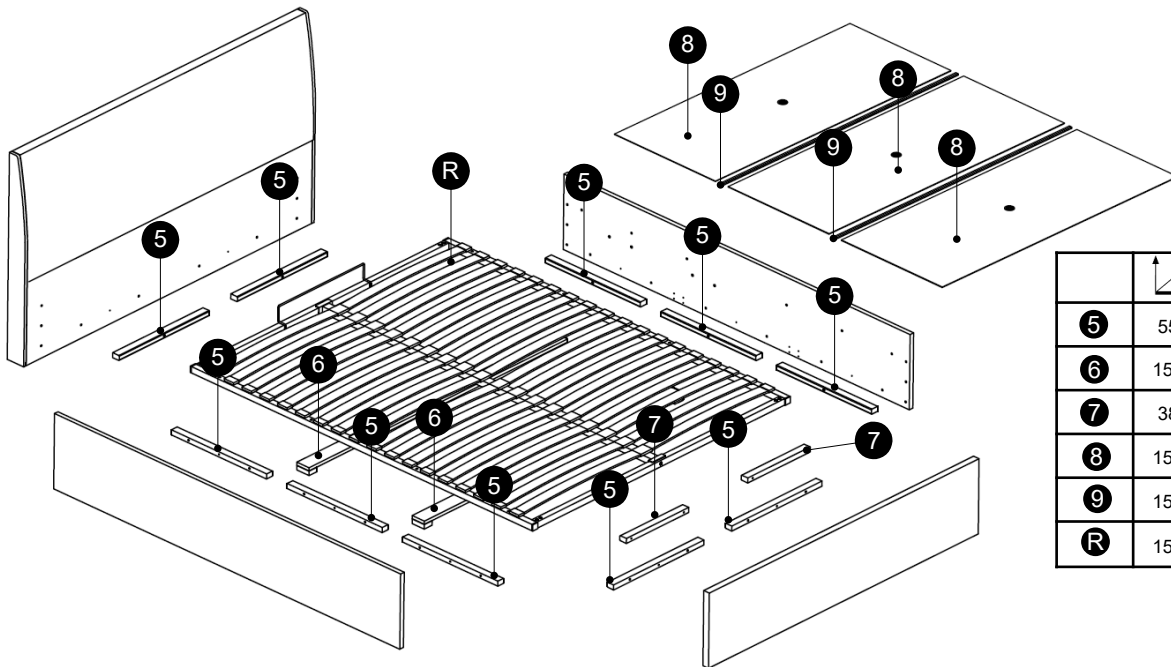
WARNUNG: Die zugänglichen Kabel, elektrische Leitungen, Schnüre, Schleifen usw. stellen das Erdrüsselungsrisiko bei Kindern dar. Die zugänglichen Elemente solcher Art sollen immer außer der Reichweite von Kindern sein.

WARNING: Accessible cables, electrical wires, cords, strings, ribbons ... present a risk of strangulation for the young children. These accessible elements should always be kept out of reach of young children.

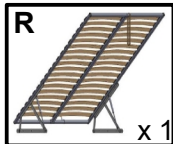
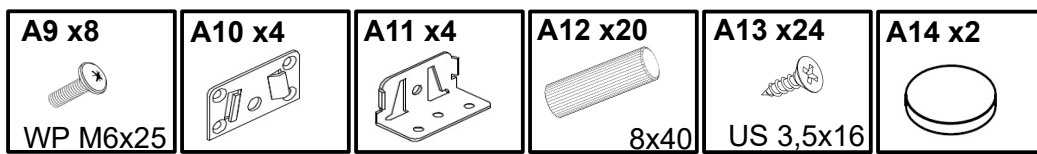
ATTENTION : les cables, fils électriques, cordes, ficelles, rubans ... accessibles présentent un risque d'étranglement pour les jeunes enfants. Ces éléments accessibles doivent toujours être tenus hors de portée des jeunes enfants

<b>A x4</b> 	<b>A1 x12</b>  WP M6x25	<b>A2 x12</b>  WP M6x35	<b>A3 x4</b>  US 5x40	<b>A4 x4</b> 
<b>A5 x4</b>  WP M6x70	<b>A6 x10</b>  US 5x60	<b>A7 x2</b>  US 5x25	<b>E x2</b> 	<b>E1 x2</b>  H:60
<b>A8 x8</b>  WP M6x60				

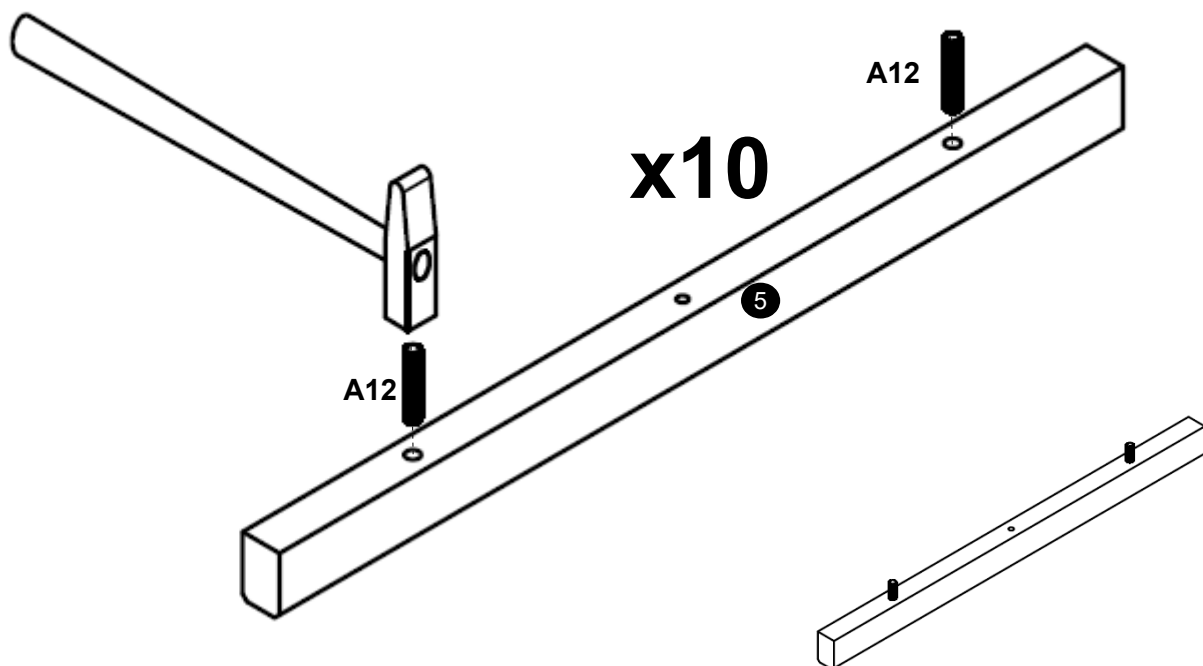
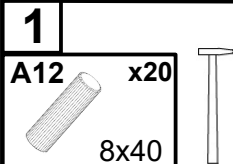
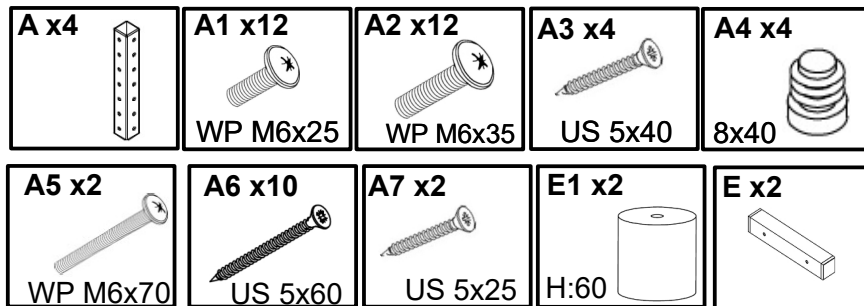




				PCS
<b>5</b>	550	38	24	10
<b>6</b>	1575	70	38	2
<b>7</b>	380	38	24	2
<b>8</b>	1594	662	3	1
<b>9</b>	1594	17	7	3
<b>R</b>	1570	1970	60	1



+

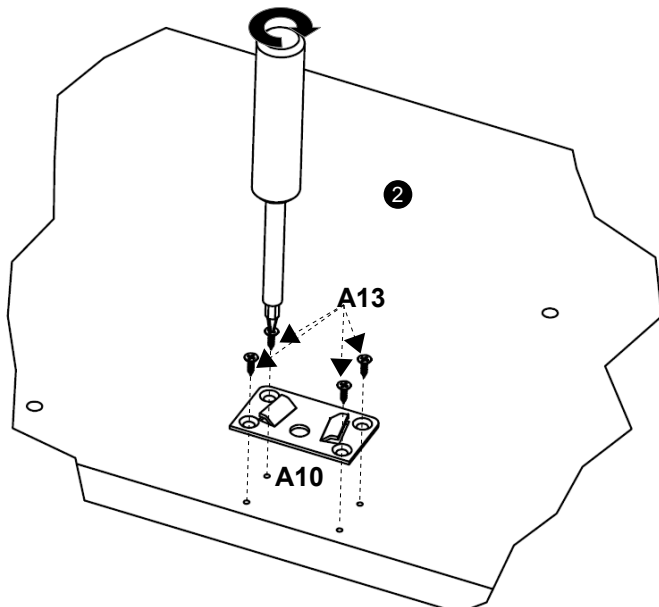
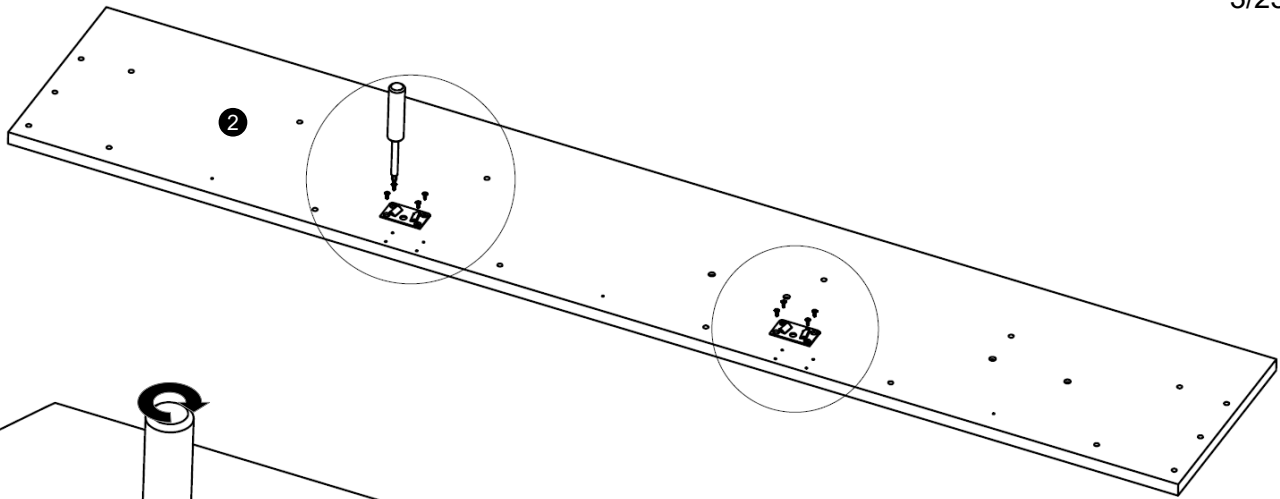


2

A13 x8

US 3,5x16

A10 x2

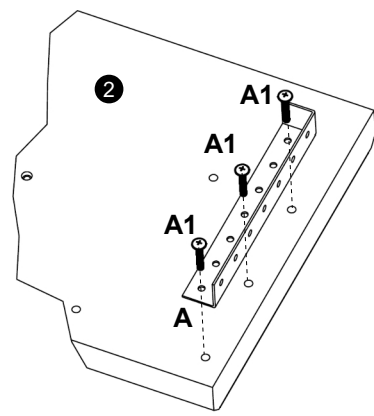
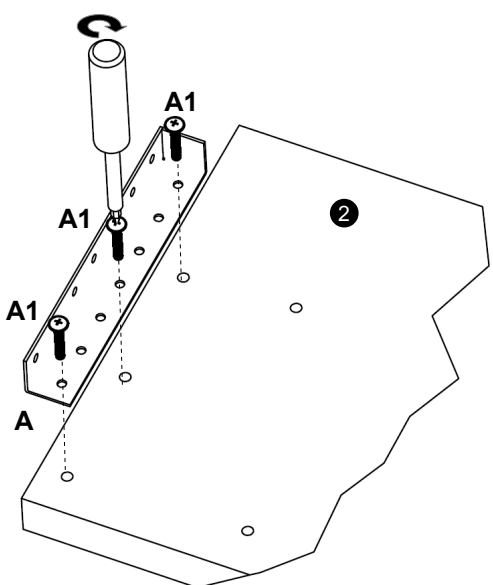
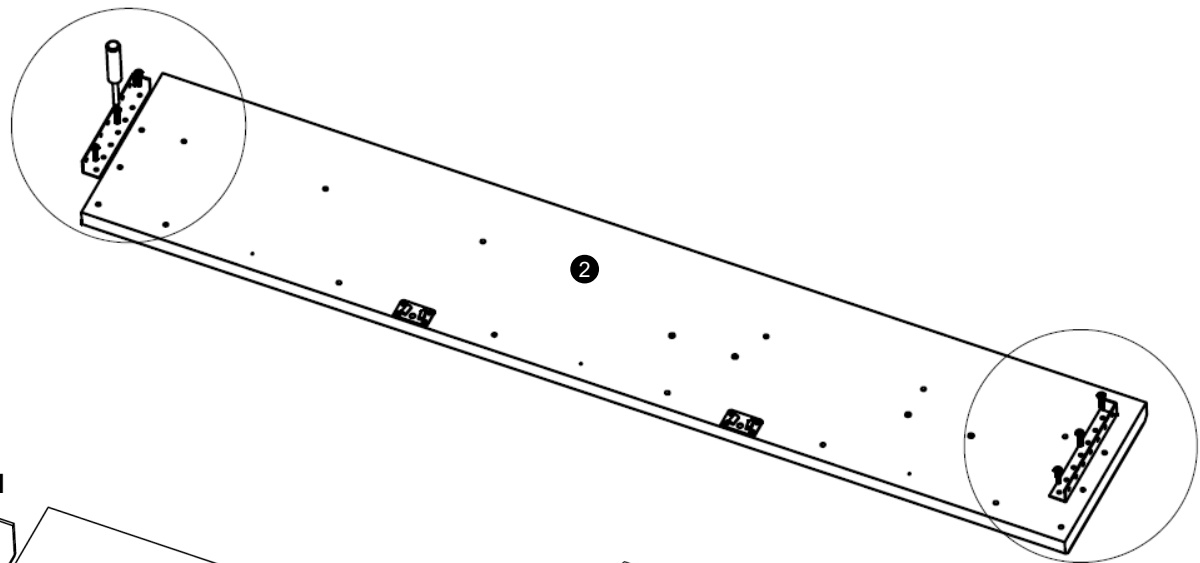


3


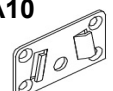
A1 x6

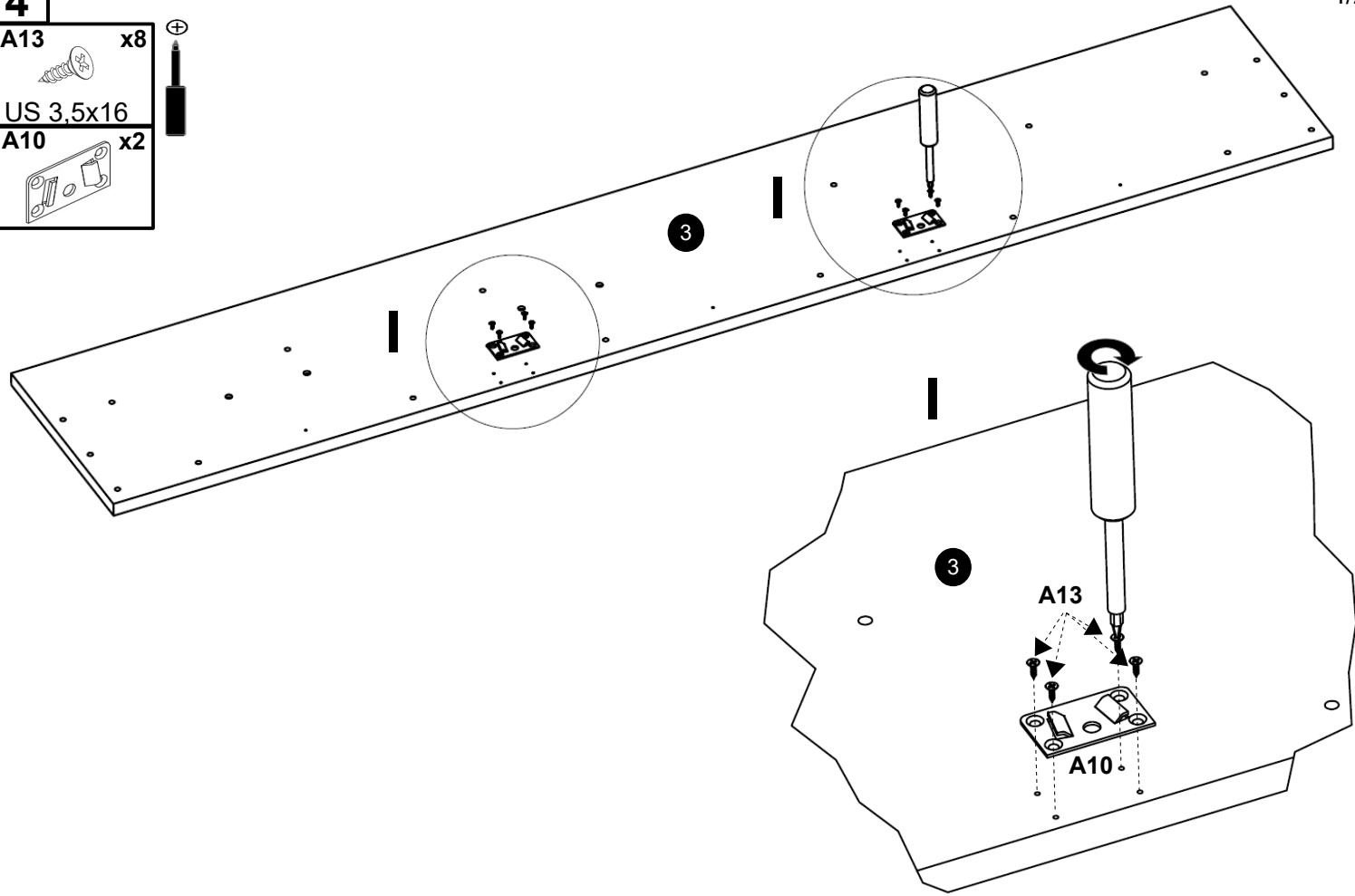
WP M6x25

A x2


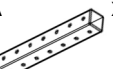


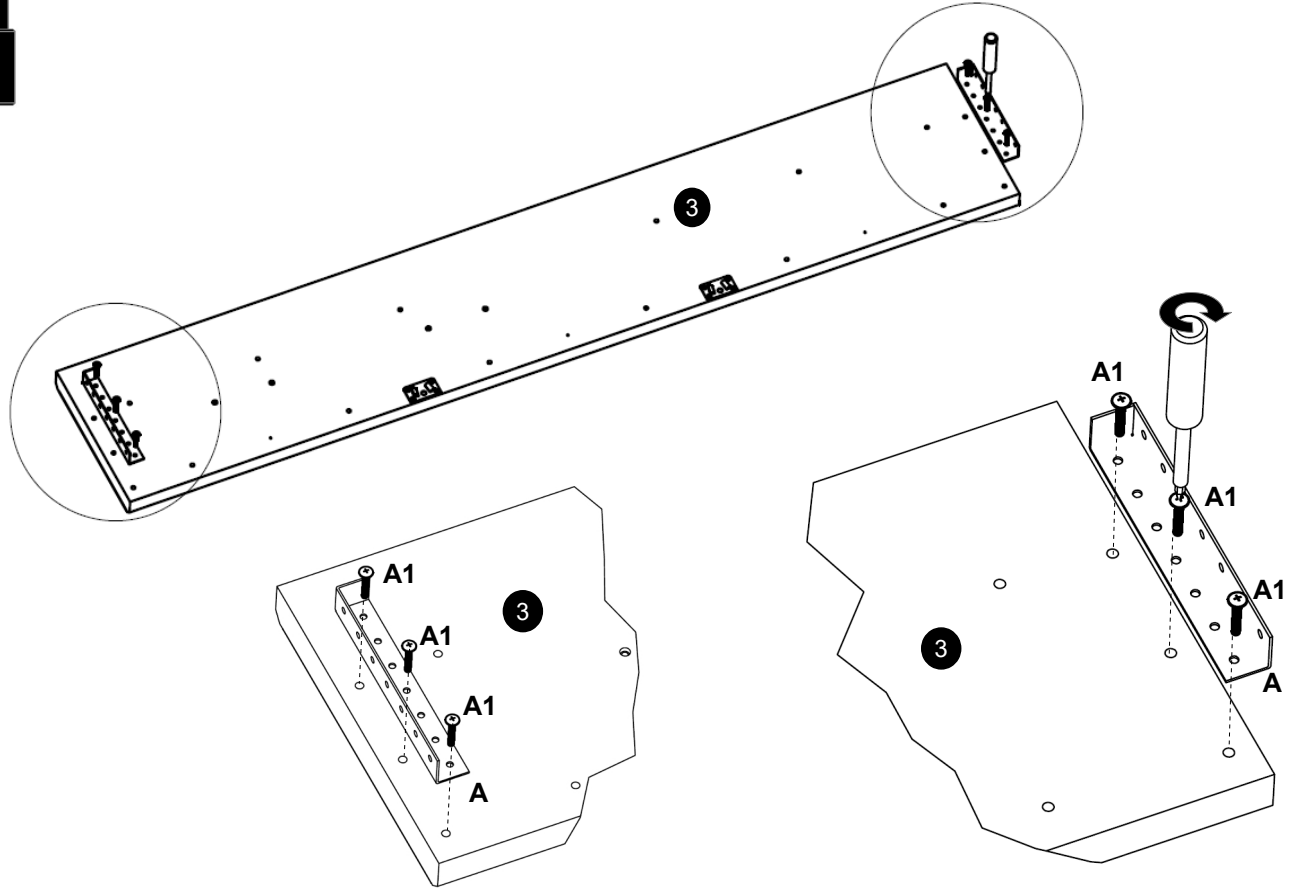
4

A13	x8
	
US 3.5x16	
A10	x2
	



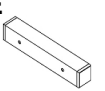
5

A1	x6
	
WP M6x25	
A	x2
	

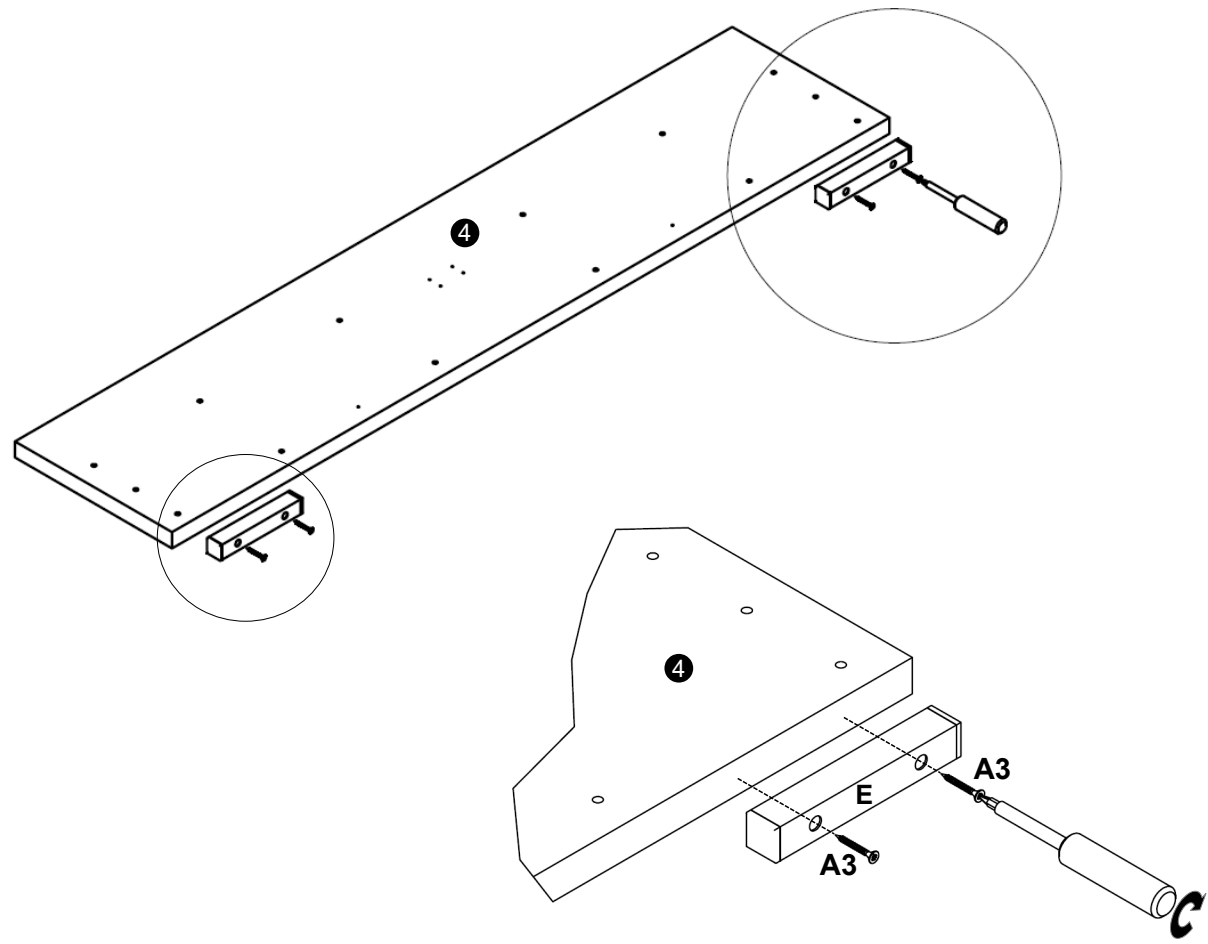




6

E x2

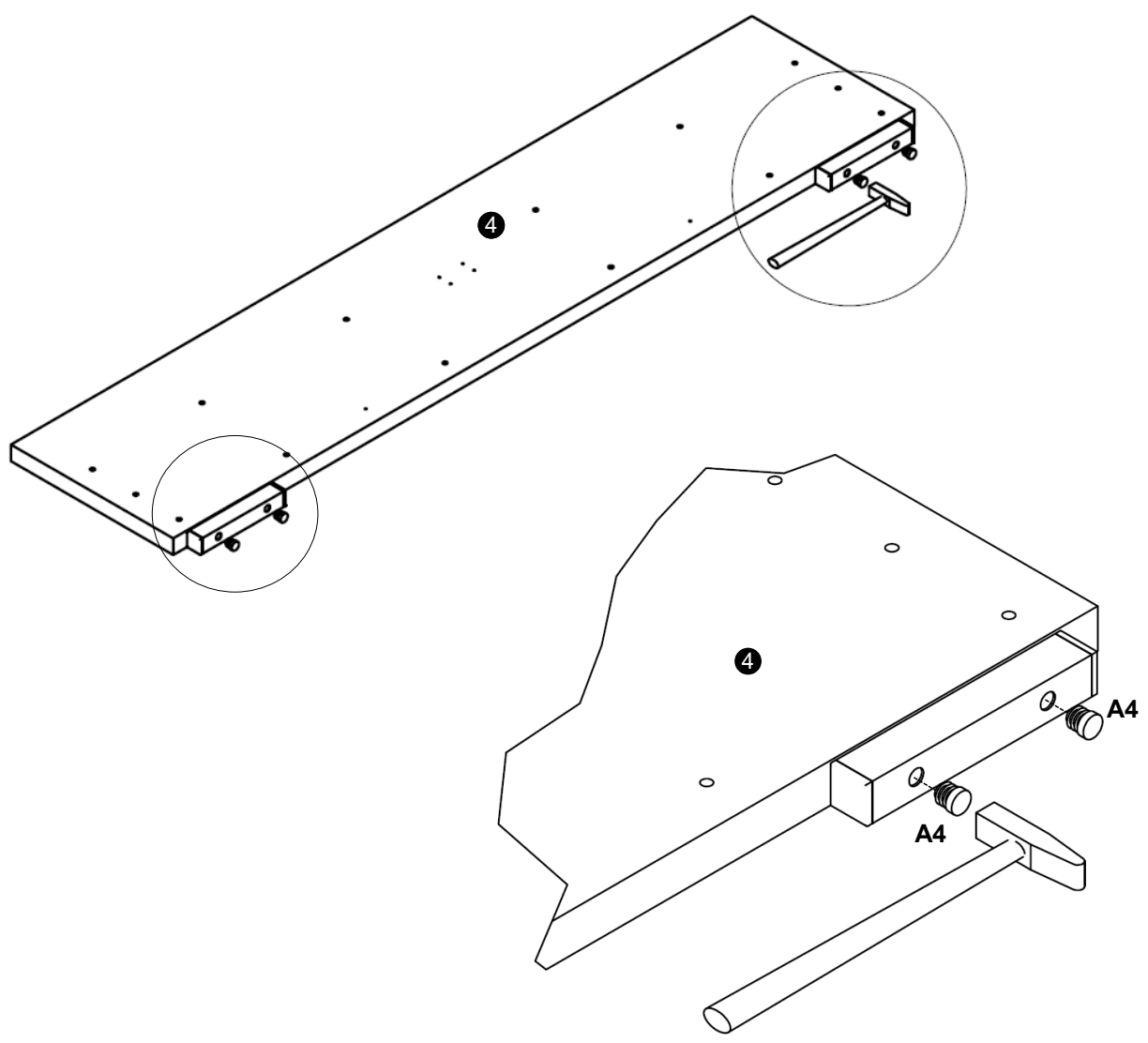




A3 x4  
US 5x40



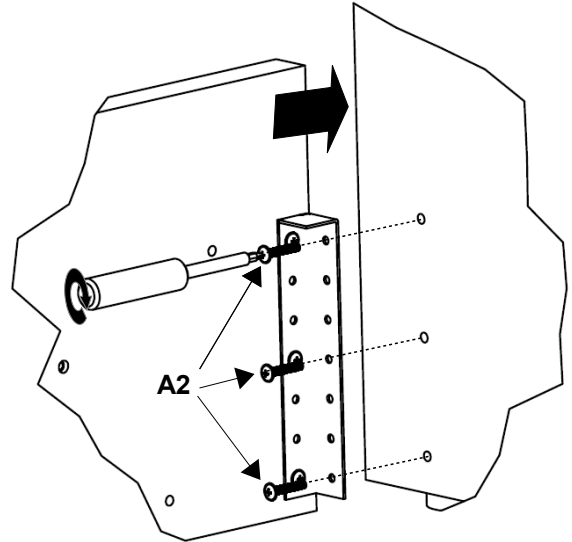
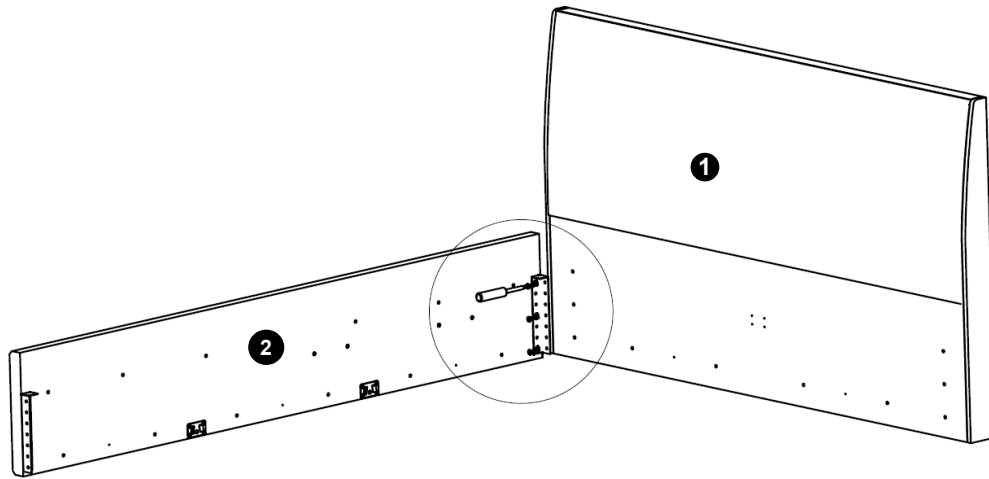
7

A4 x4



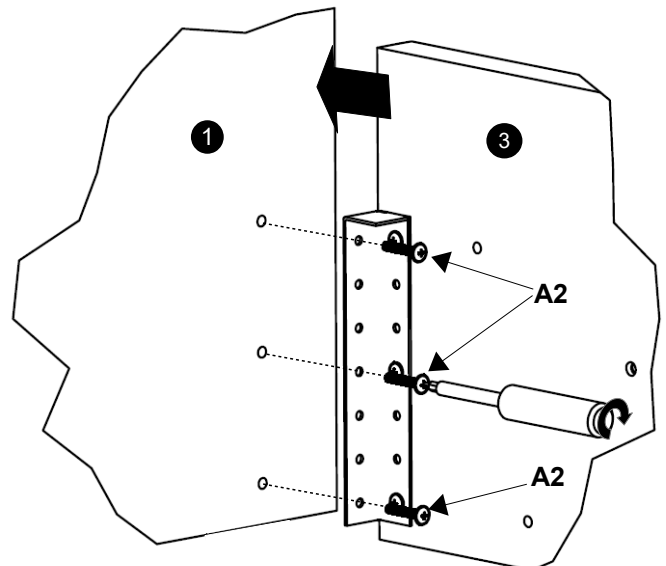
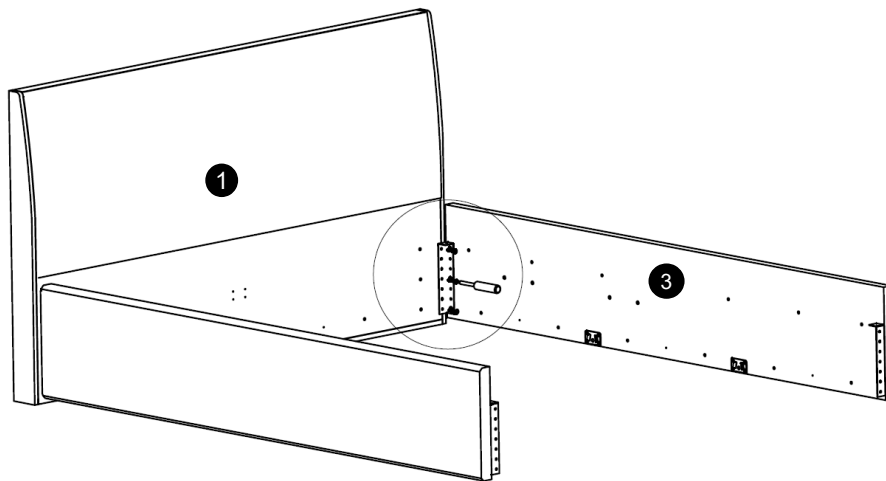
8

A2 x3  
WP M6x35



9

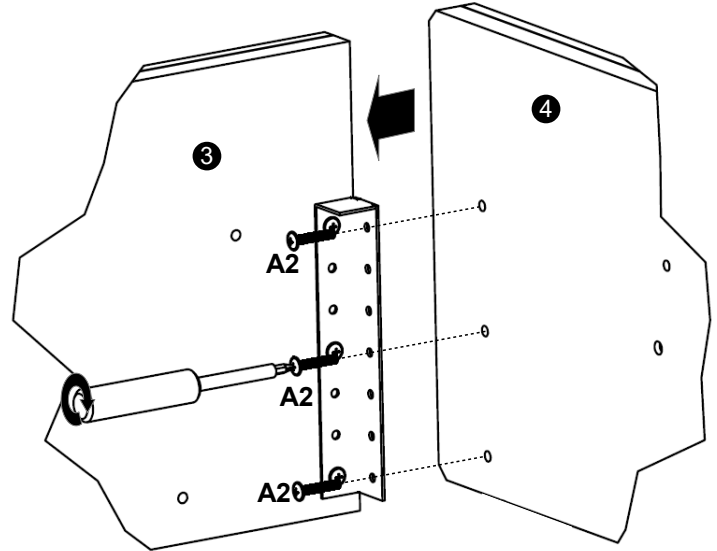
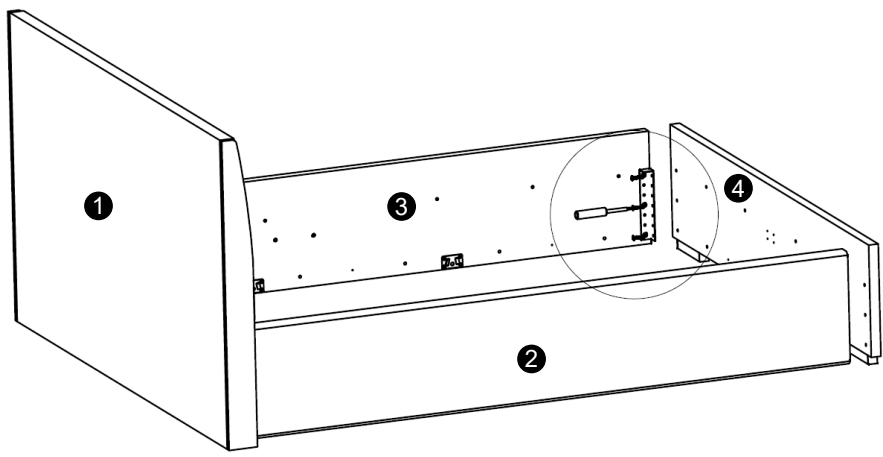
A2 x3  
WP M6x35



10



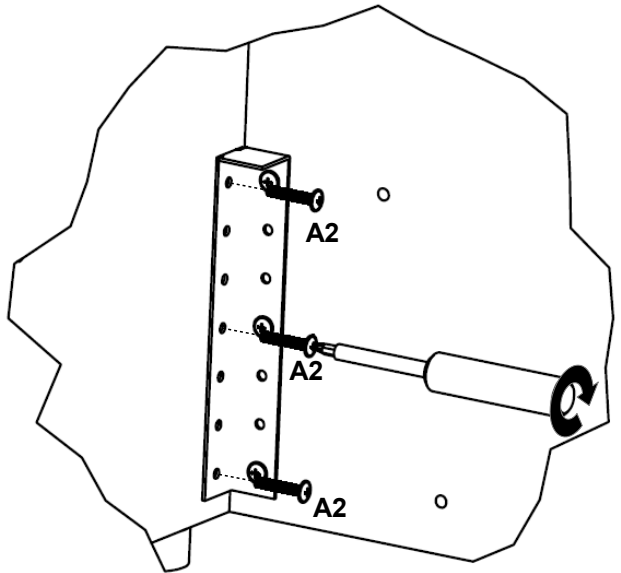
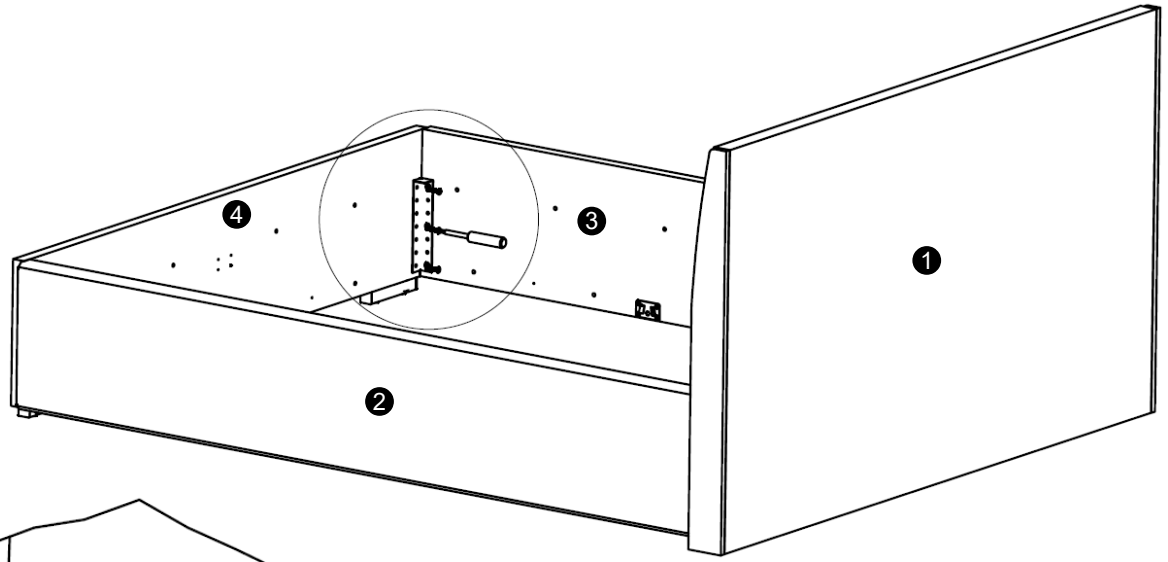
A2 x3  
WP M6x35



11

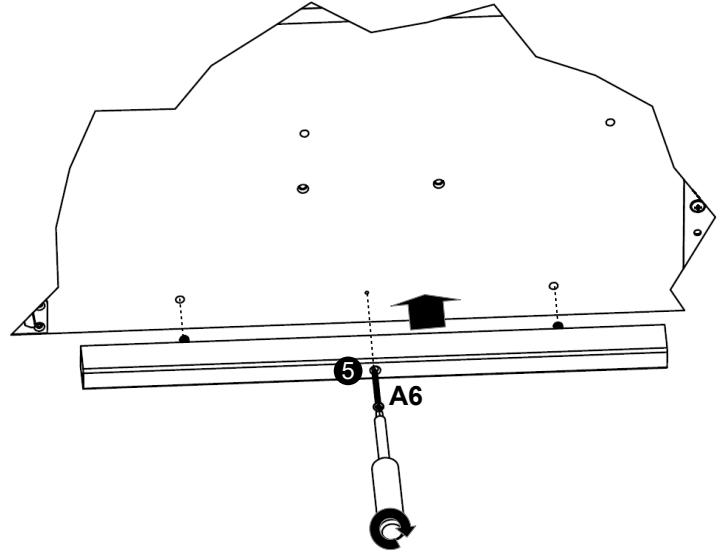
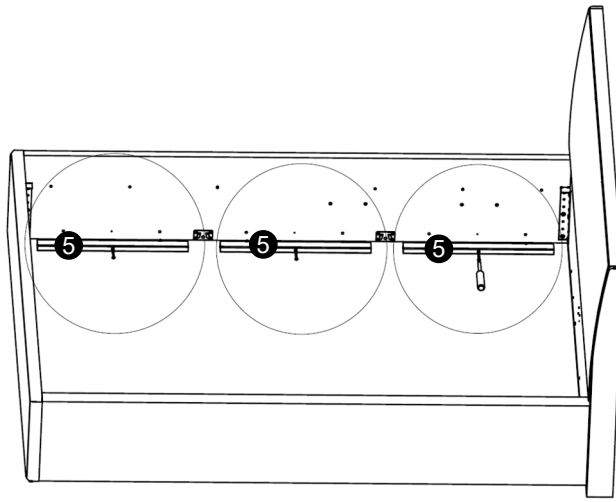


A2 x3  
WP M6x35



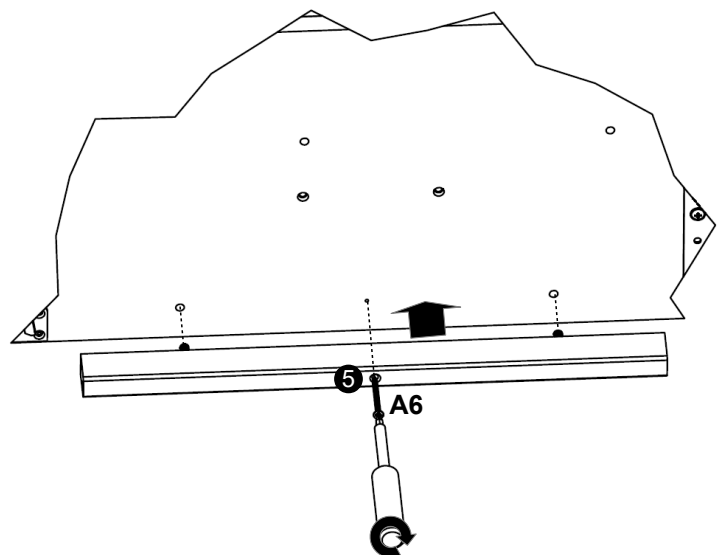
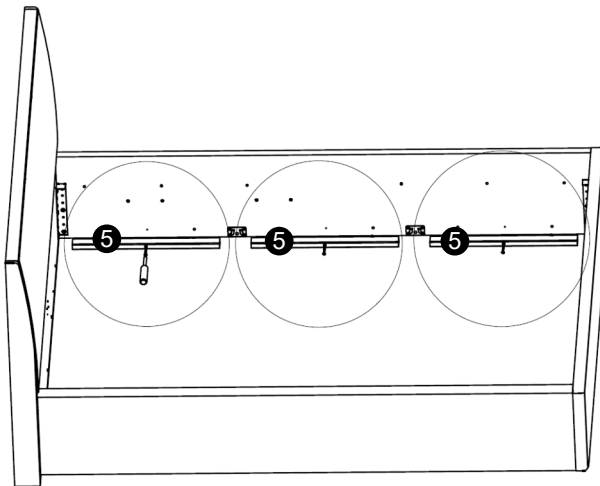
12

A6  
US 5x60 x3



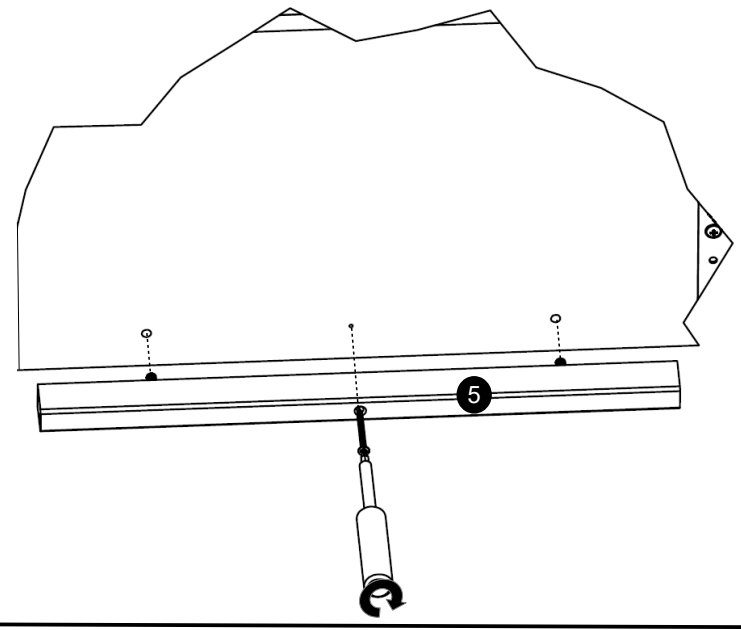
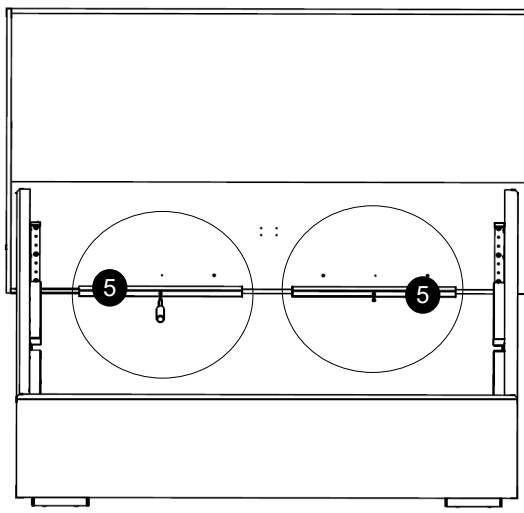
13

A6  
US 5x60 x3



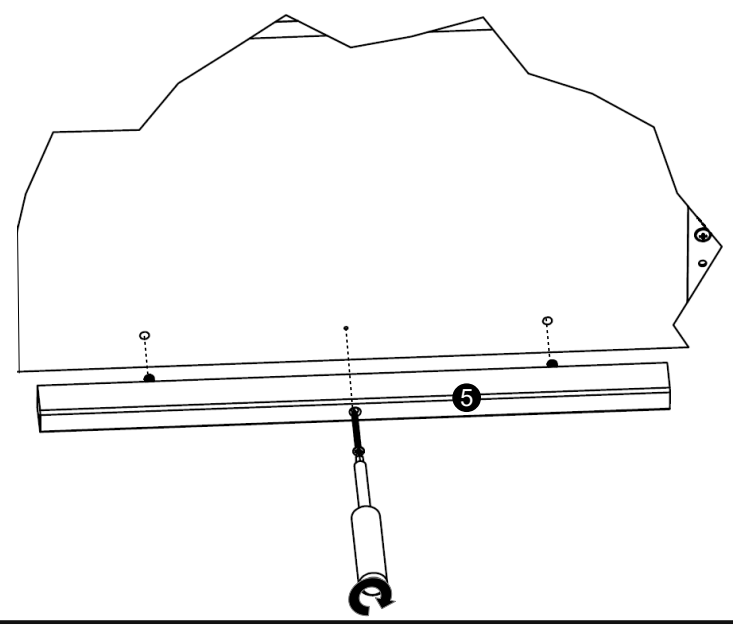
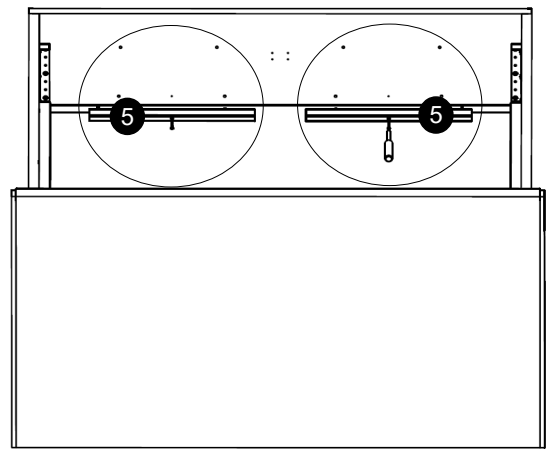
14

A6 x2  
US 5x60



15

A6 x2  
US 5x60



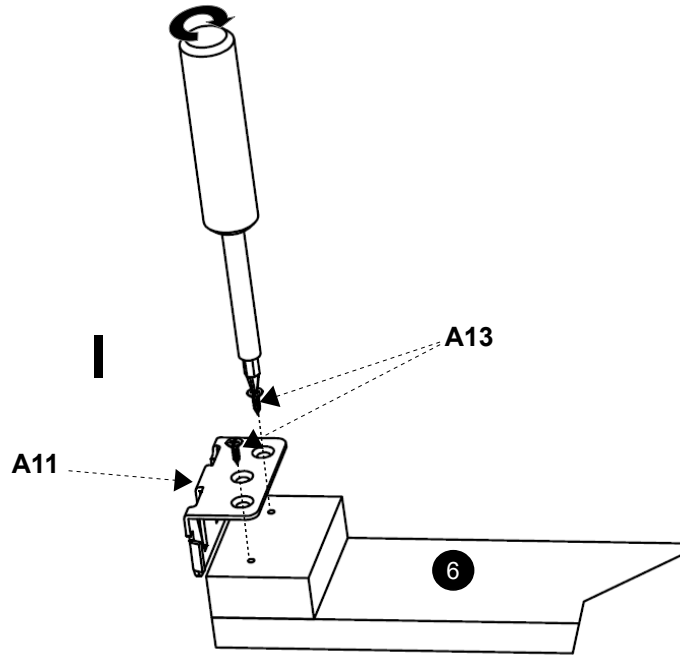
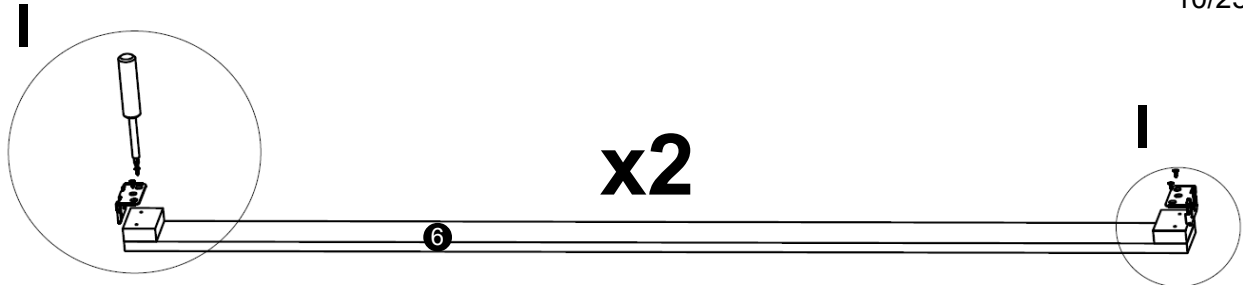
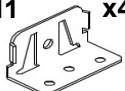
16

A13 x8



US 3,5x16

A11 x4



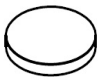
17

A7 x2



US 5x25

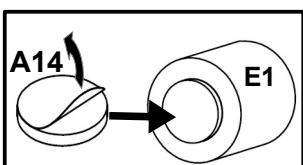
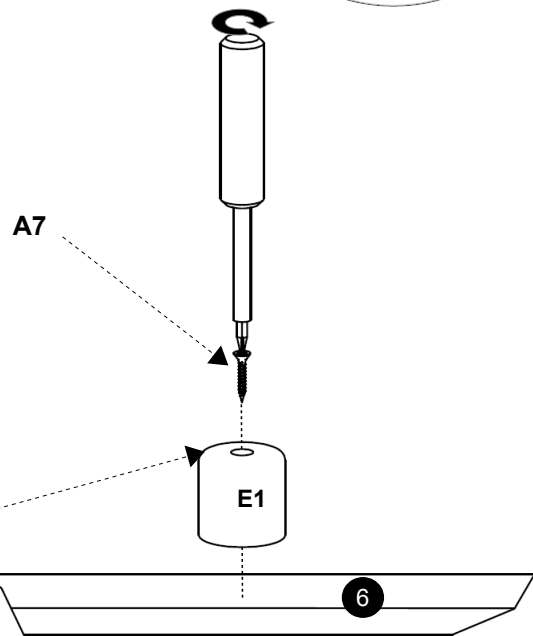
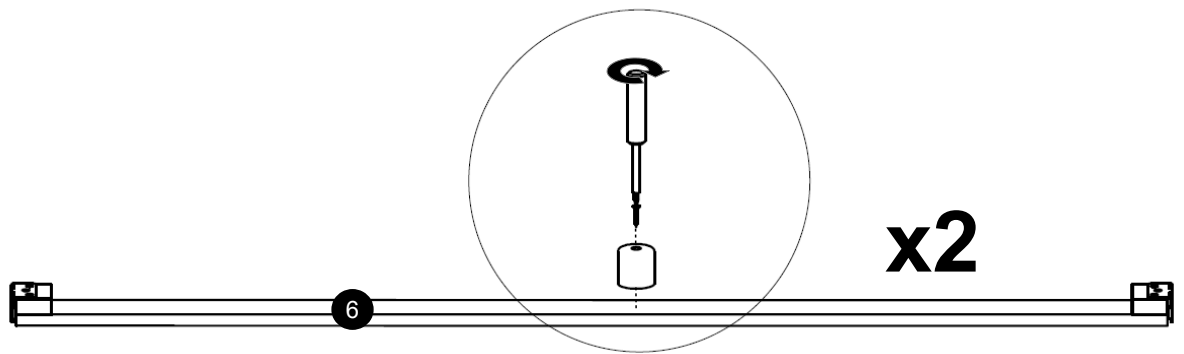
A14 x2

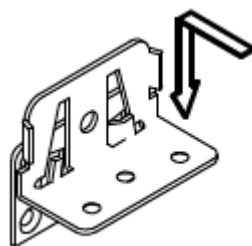
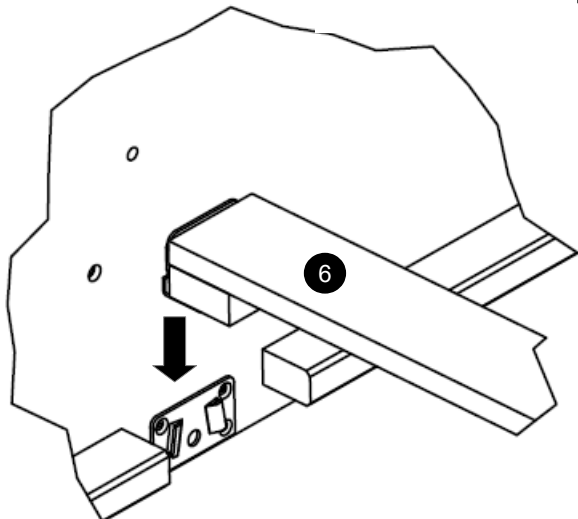
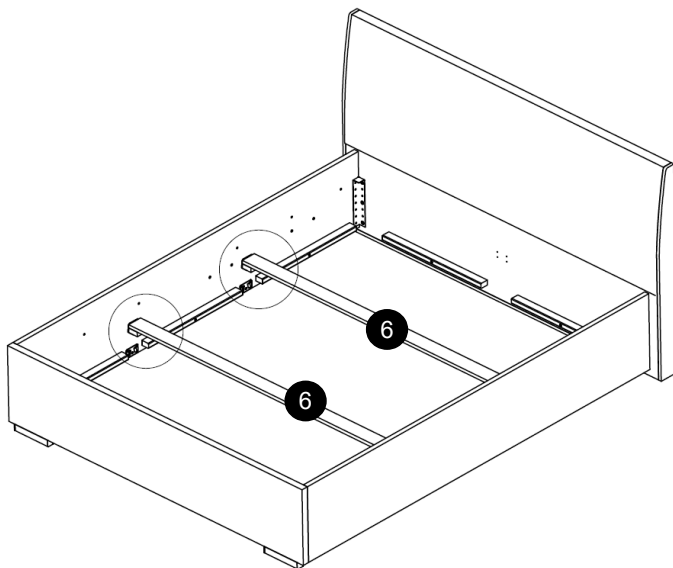
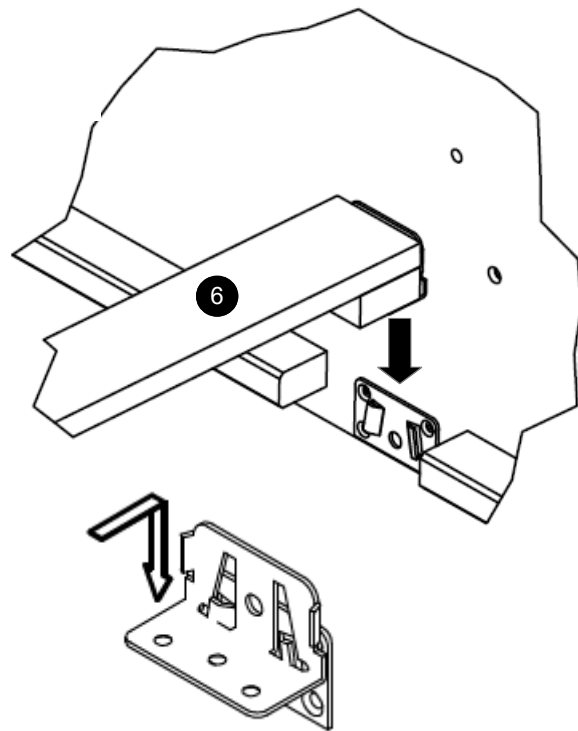
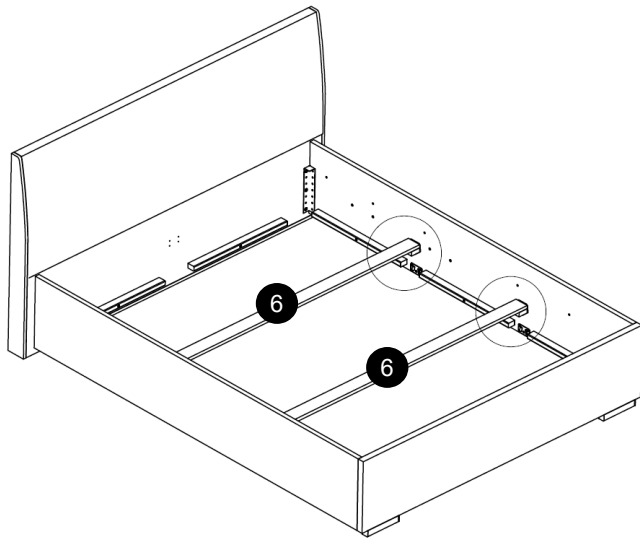
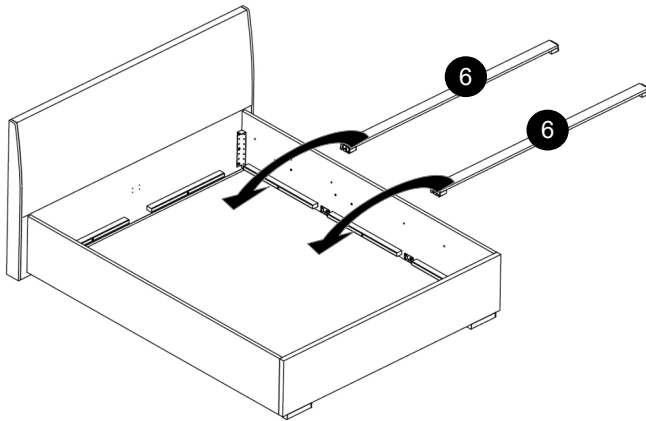


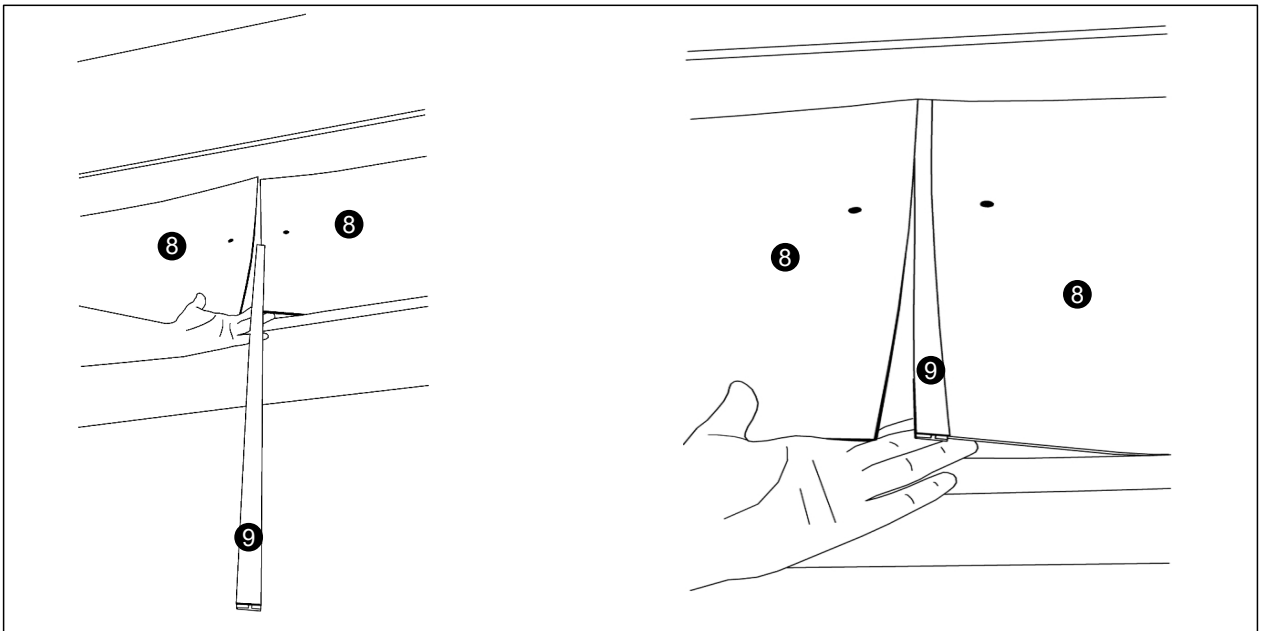
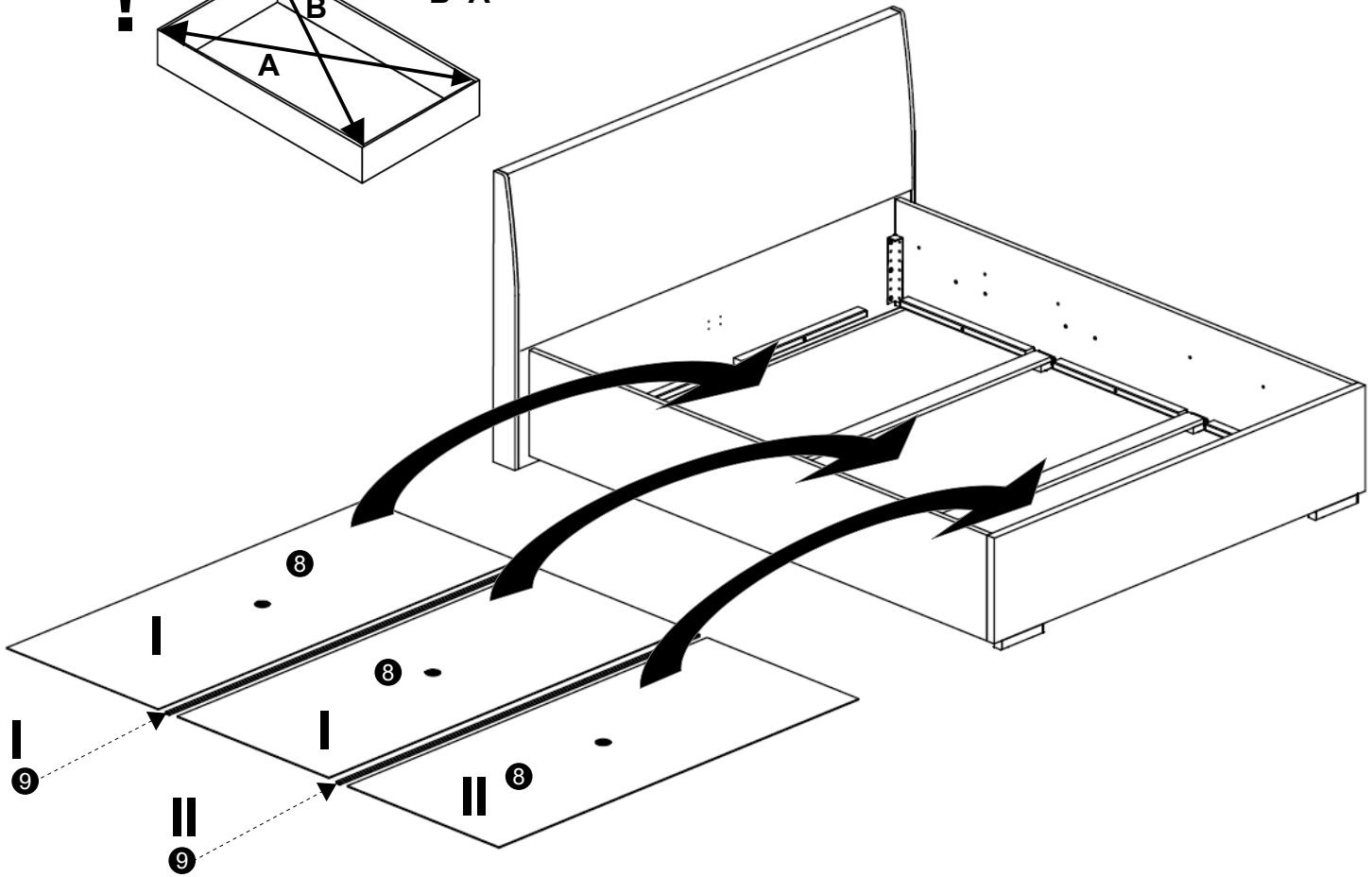
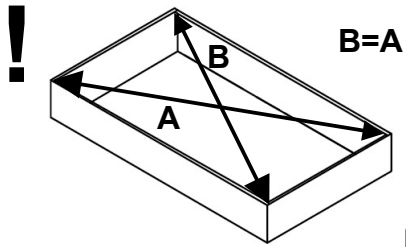
E1 x2

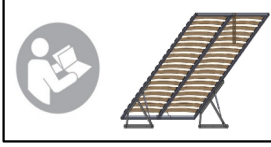


H:60





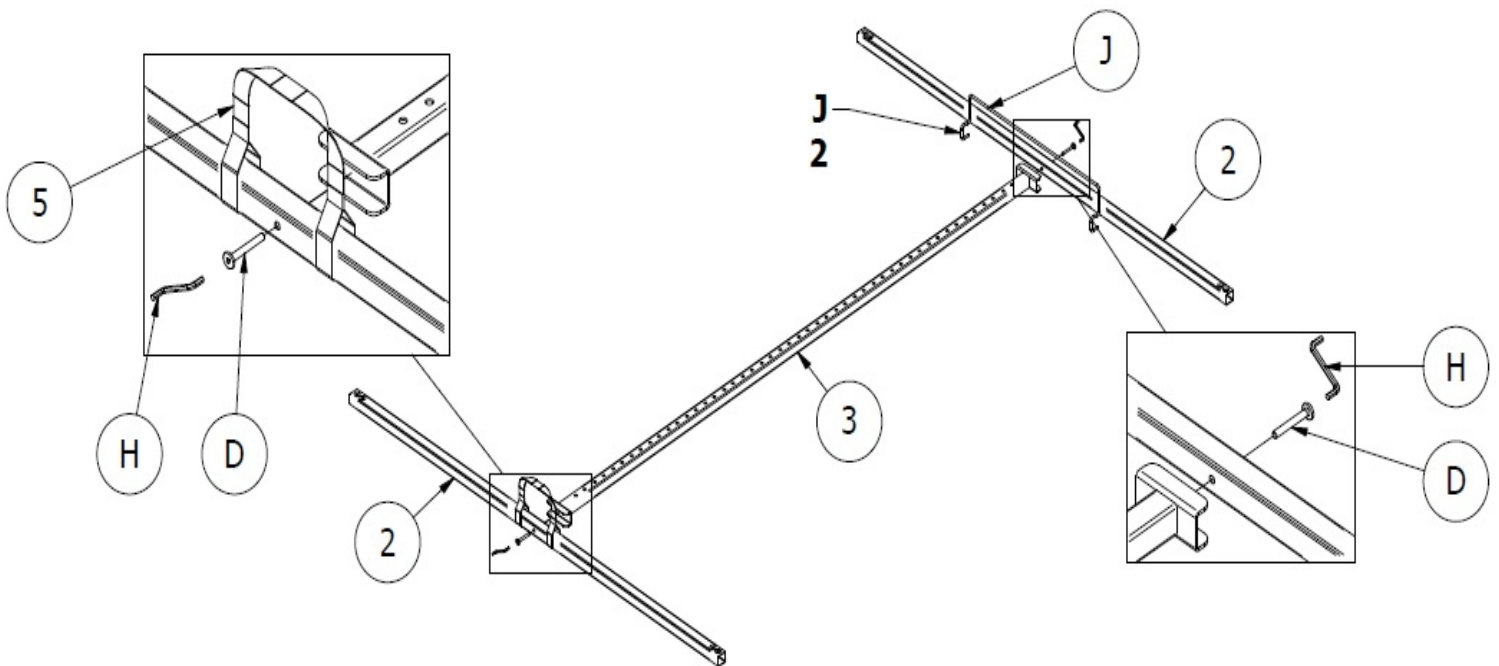
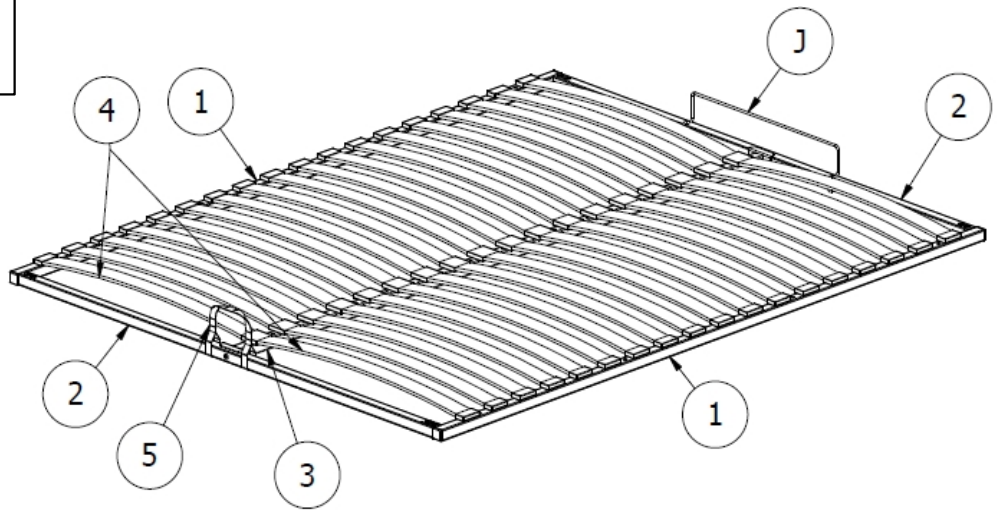


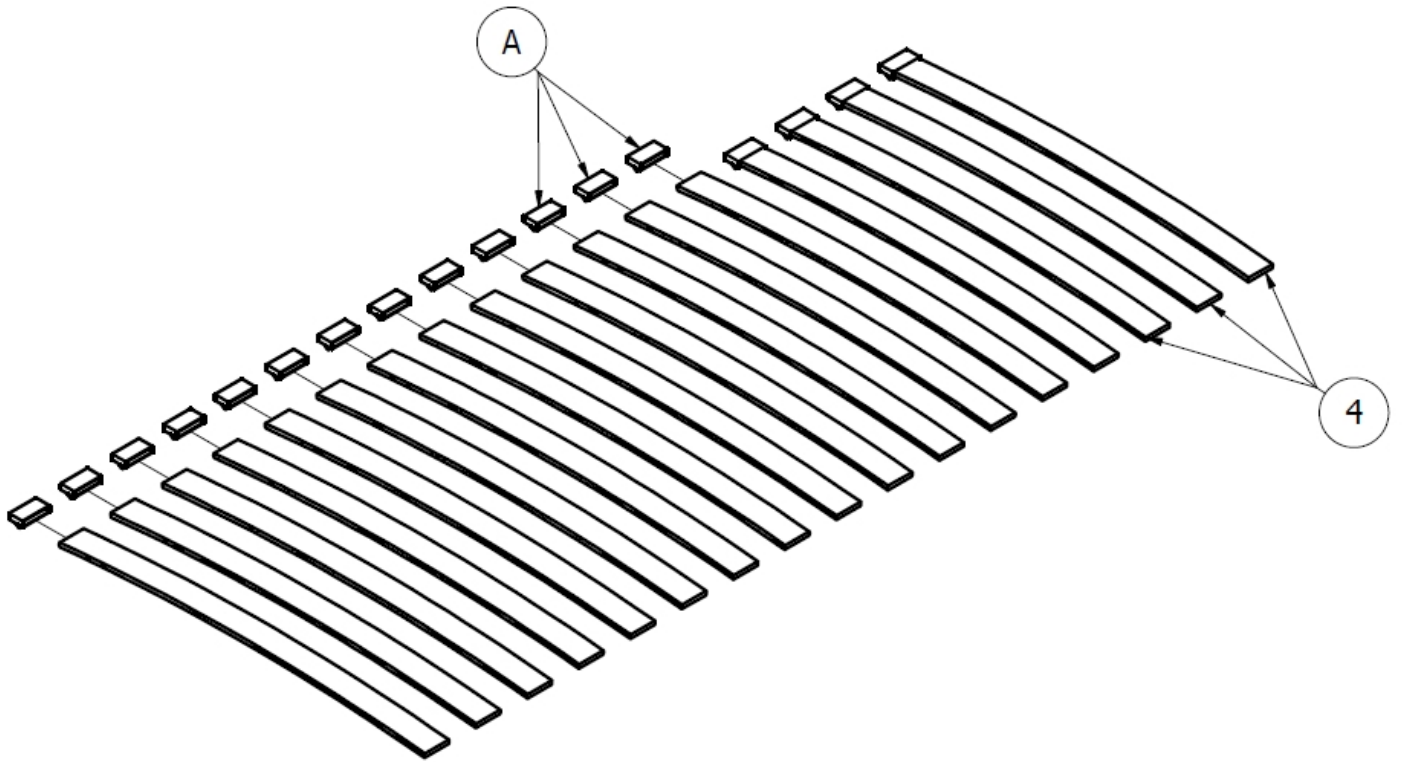
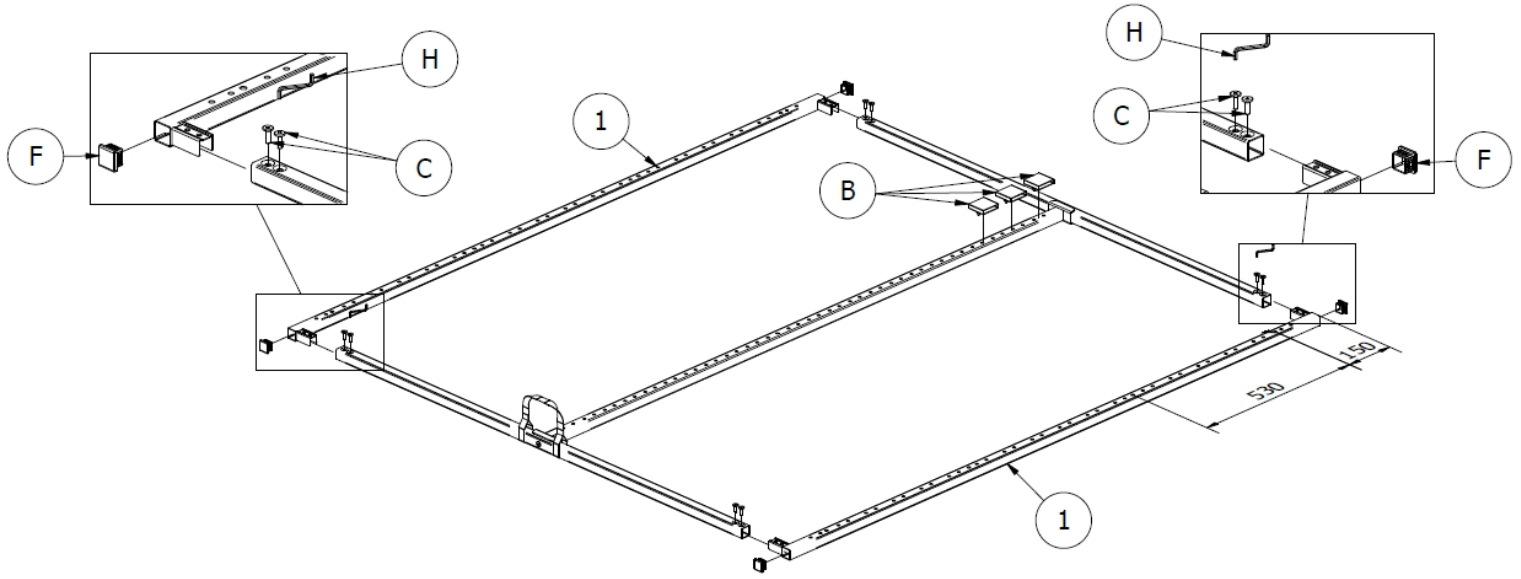


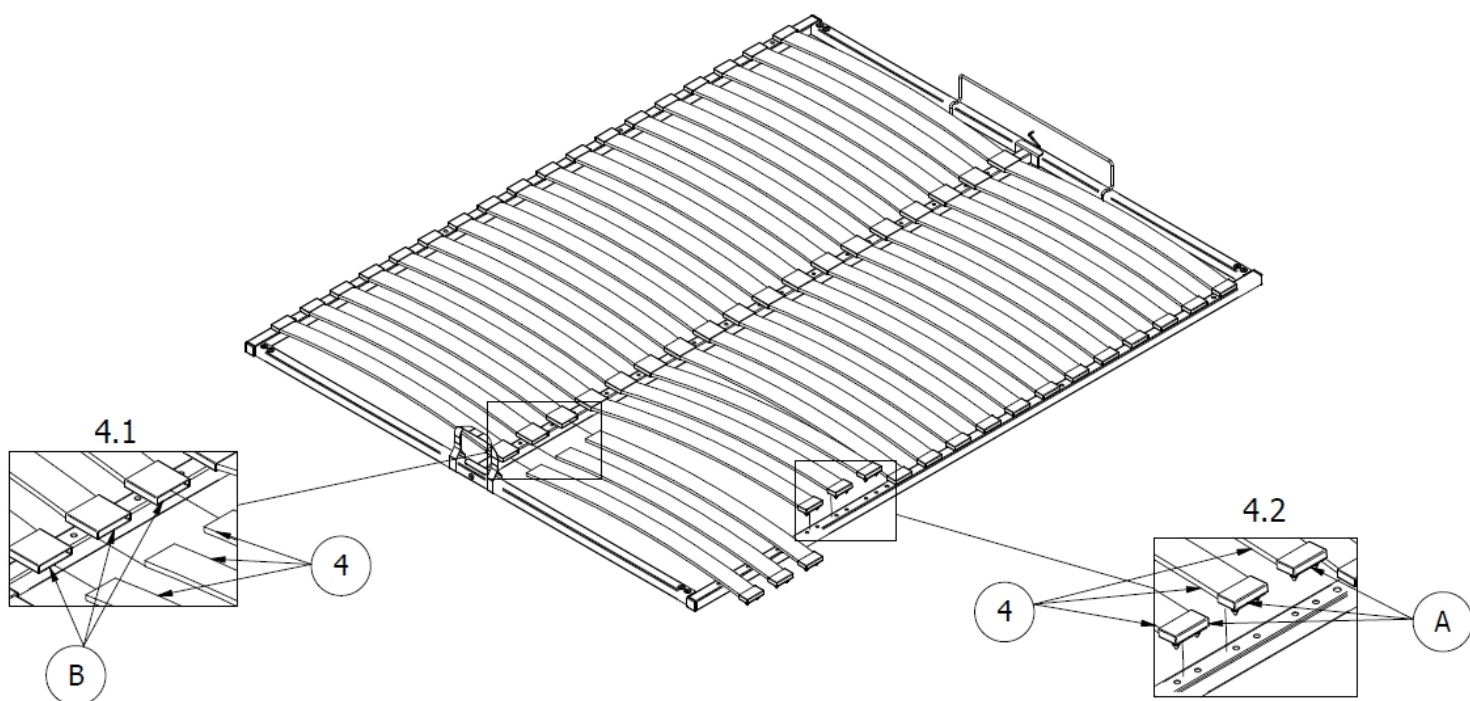
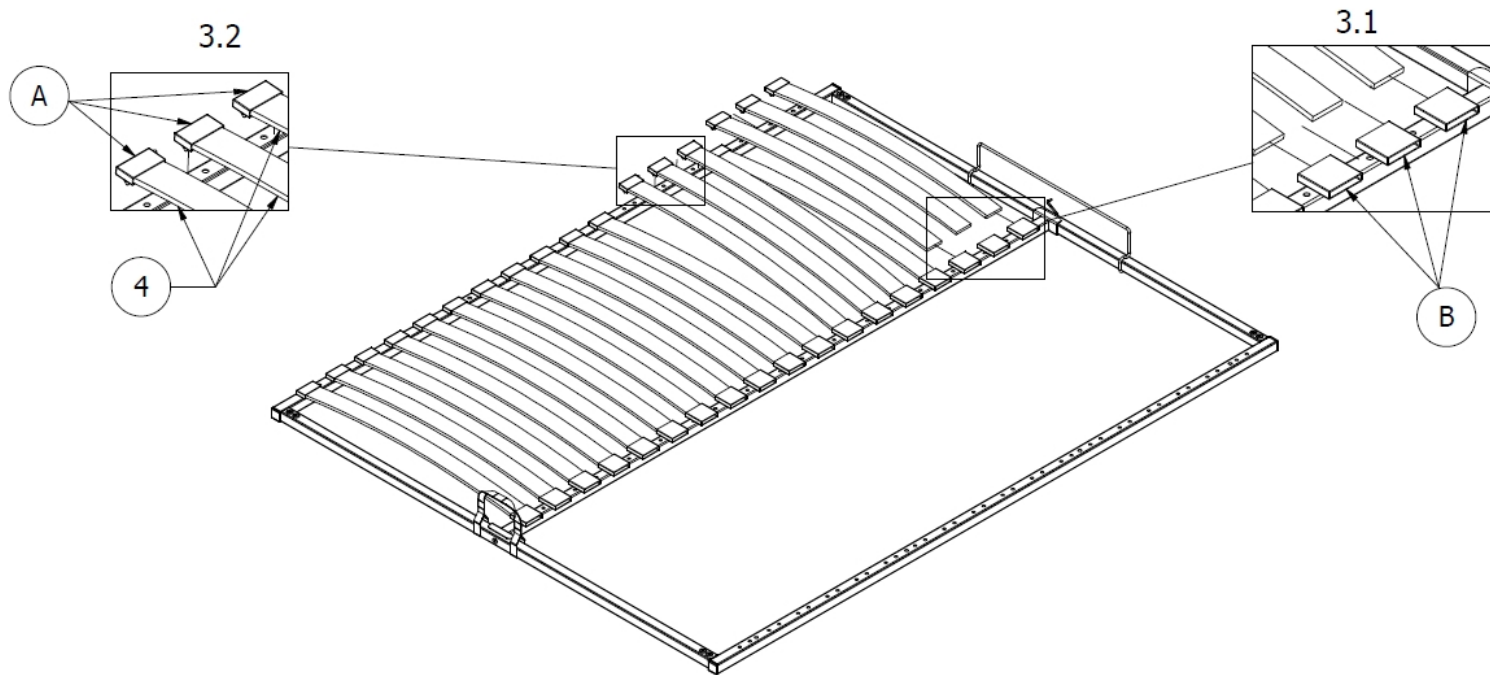
1	x2
2	x2
3	x1
4	x36
5	x1

A		36
B		x18
C		x8
D		x2
E		x6
F		x4
G		x4
H		x1

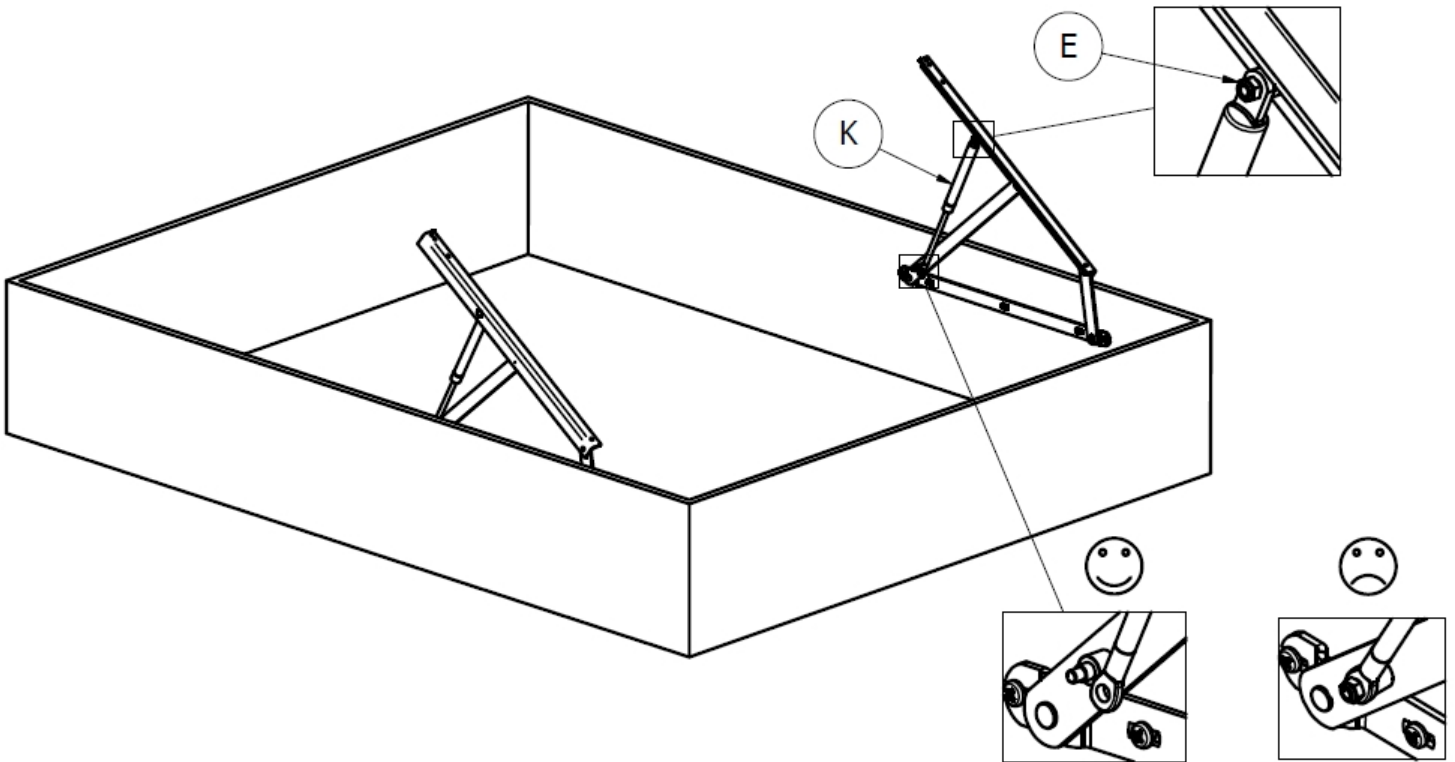
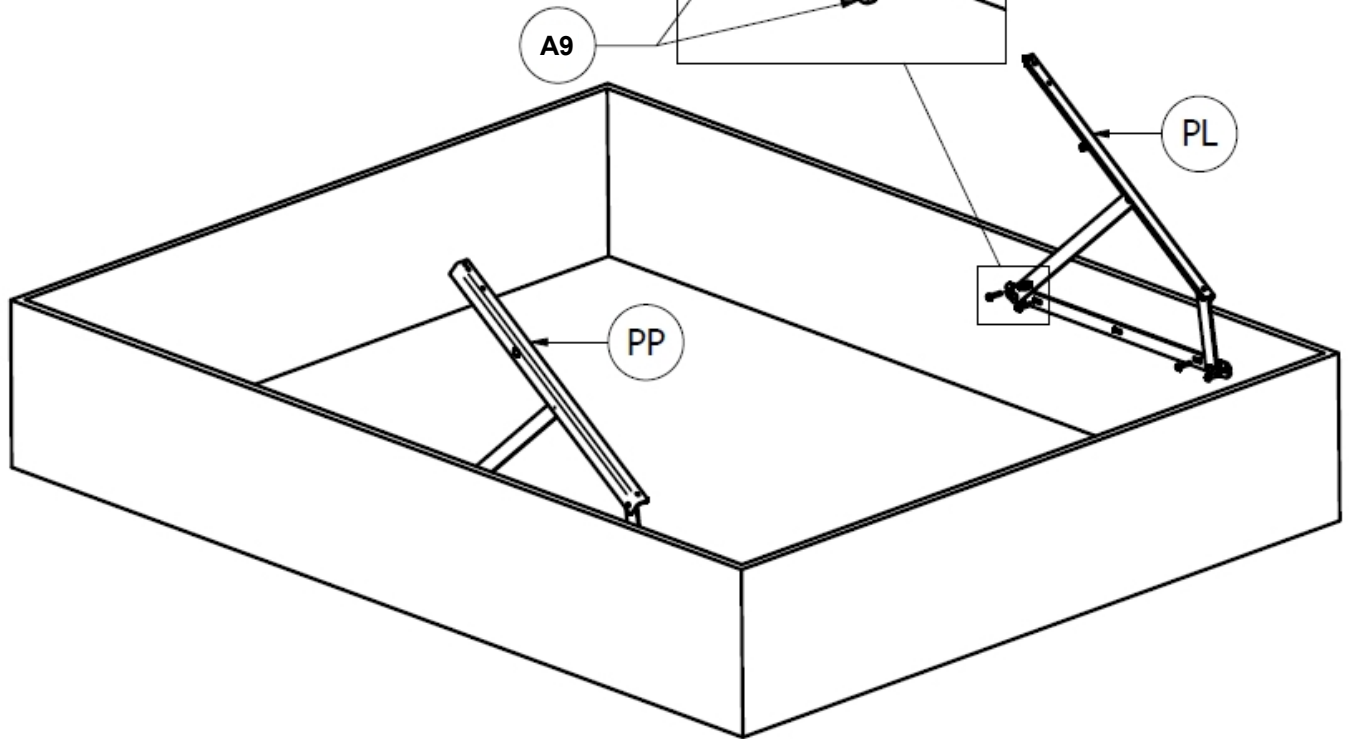
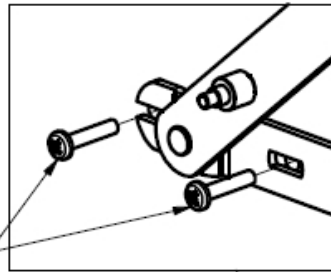
I		x1
J		x1
K		x2
PL		x1
PP		x1

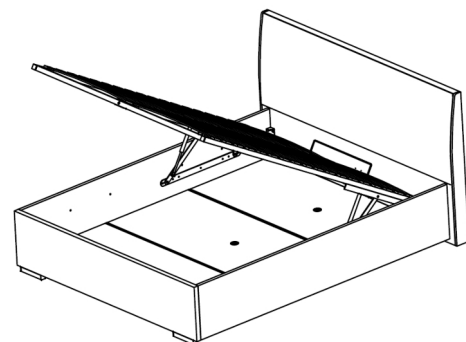
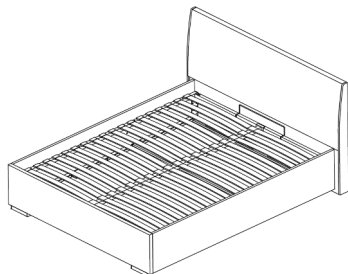
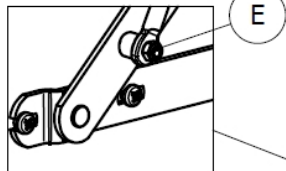
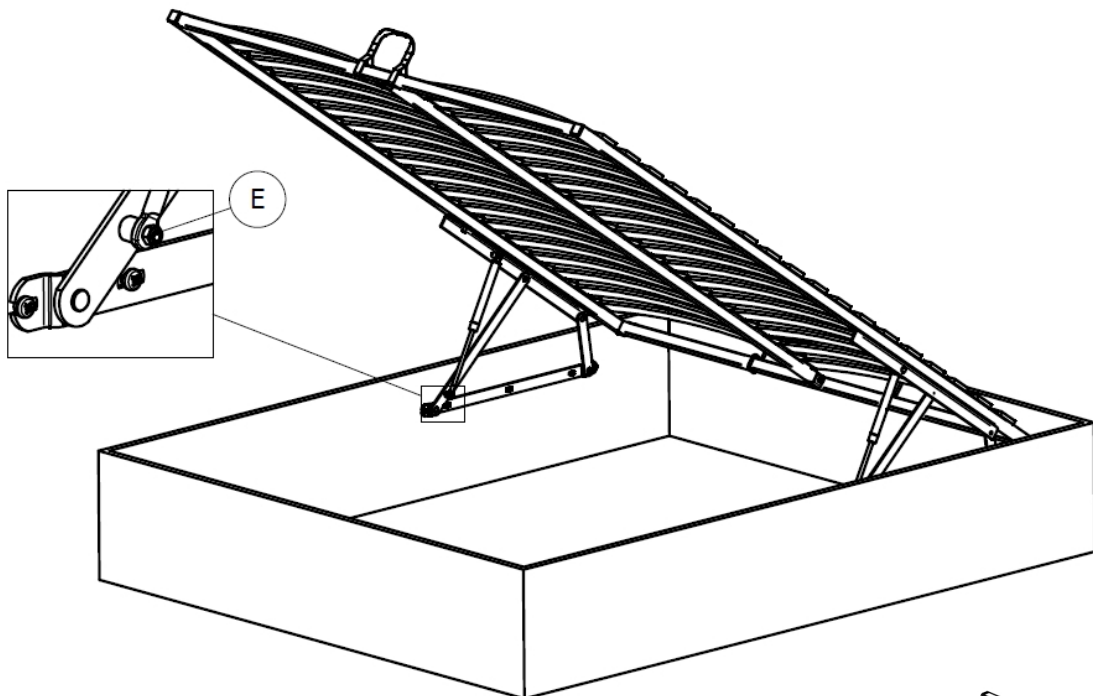
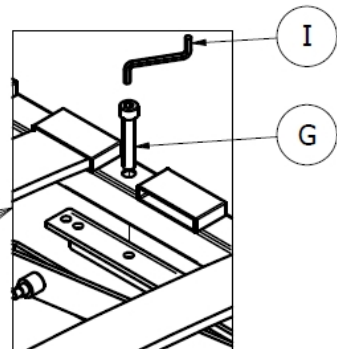
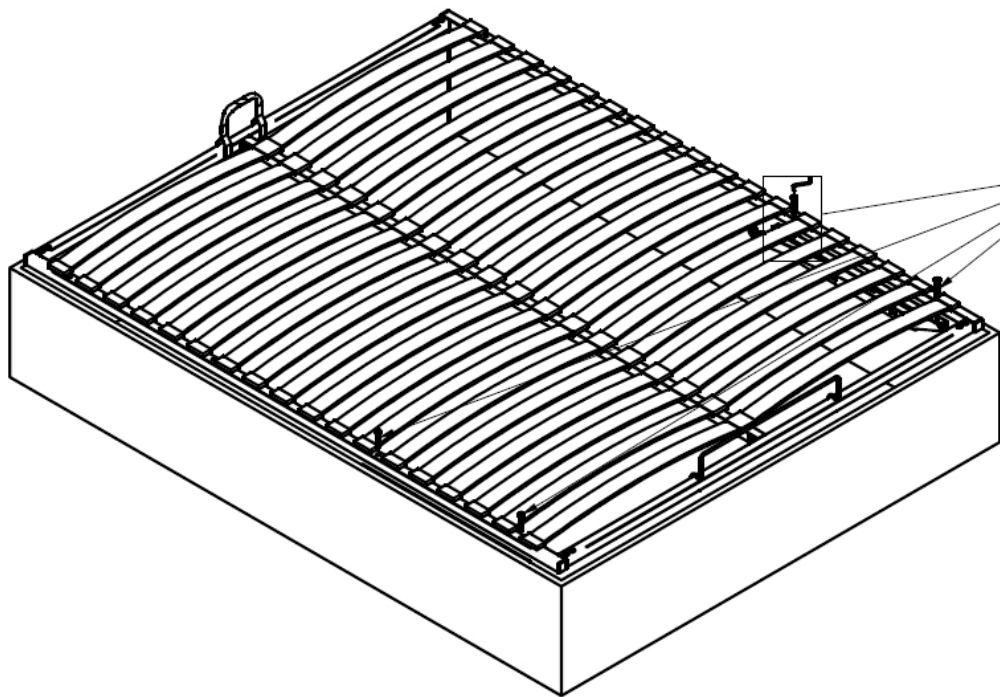




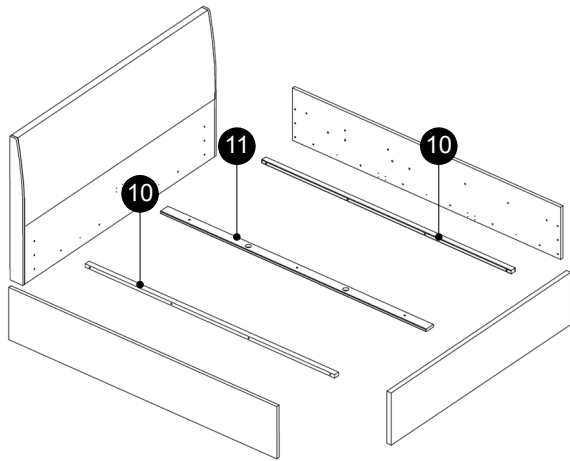


A9 x8  
WP M6x25

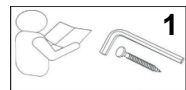




				PCS	
<b>10</b>	1860	38	24	2	
<b>11</b>	1980	70	18	1	



<b>A15 x12</b>  US 3,5x16	<b>A16 x2</b> 	<b>A17 x2</b> 	<b>A18 x3</b>  10x40	<b>E_1 x2</b> 	<b>E_2 x2</b> 		
<b>A x4</b> 	<b>A1 x12</b>  WP M6x25	<b>A2 x12</b>  WP M6x35	<b>A3 x4</b>  US 5x40	<b>A4 x4</b> 	<b>A7 x2</b>  US 5x25	<b>A8 x8</b>  WP M6x60	<b>E x2</b> 

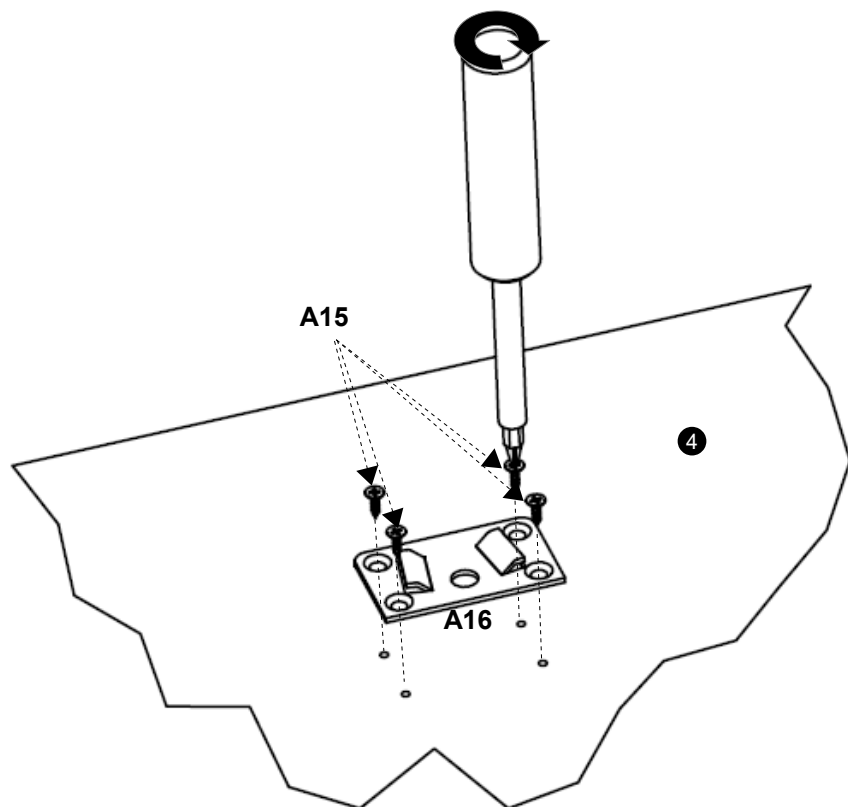
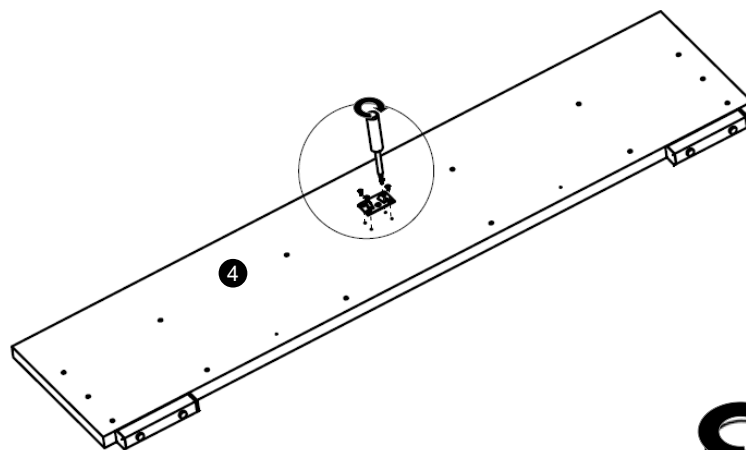


**1\_1**

<b>A15</b> x4 	
US 3,5x16	
<b>A16</b> x1 	



6/26-9

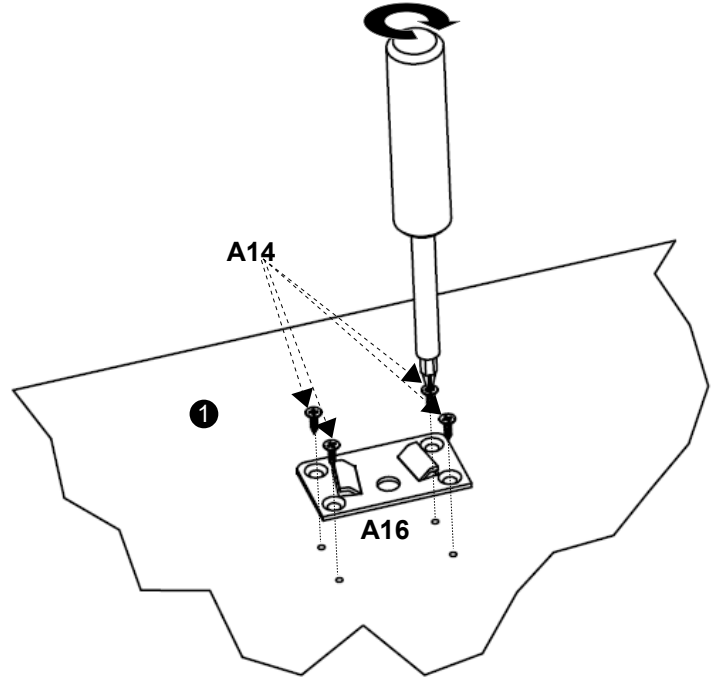
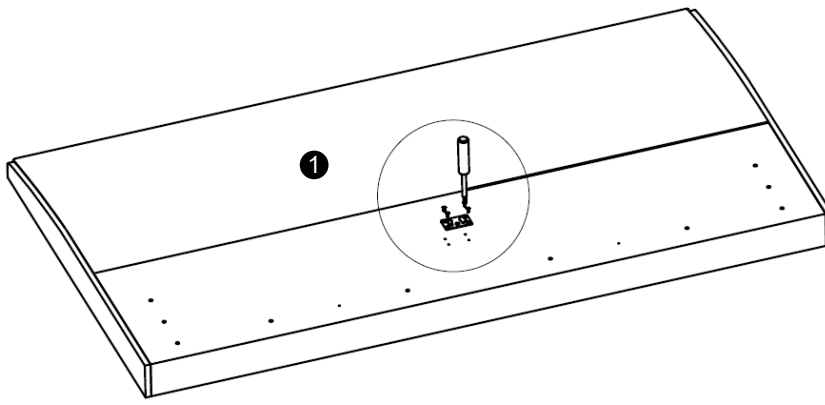


1\_4

A14 x4

US 3,5x16

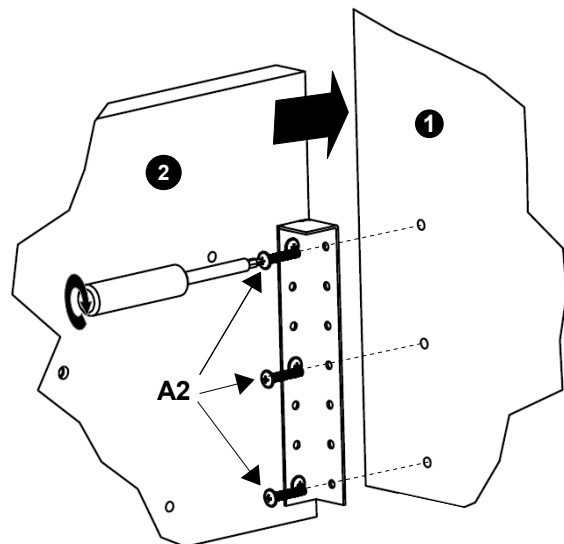
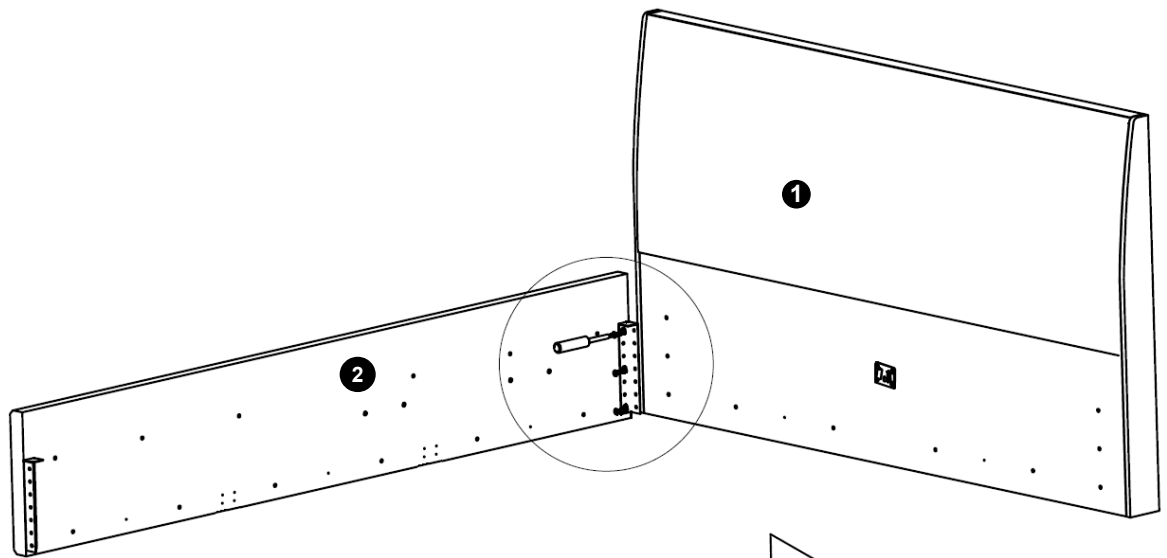
A16 x1



1\_5

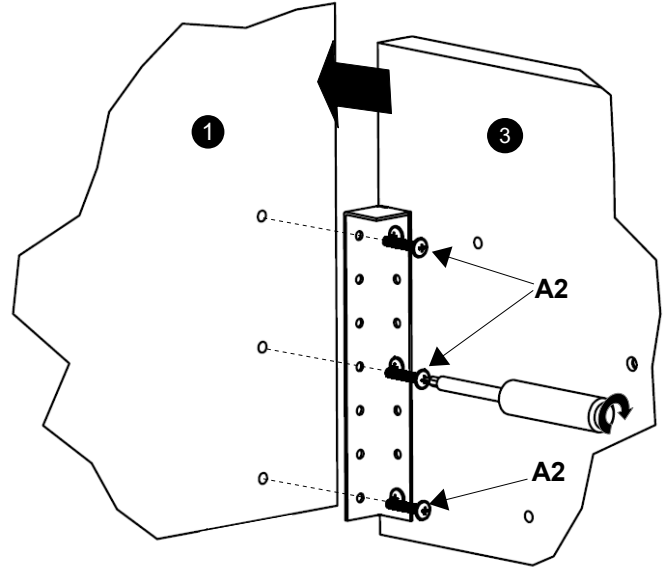
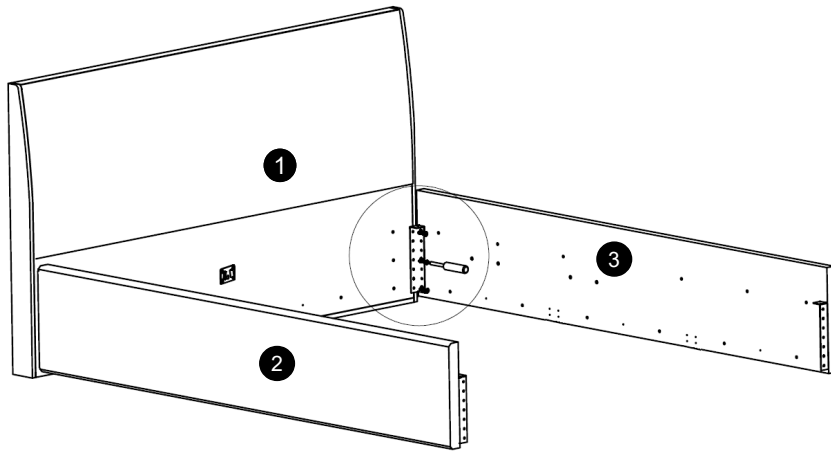
A2 x3

WP M6x35



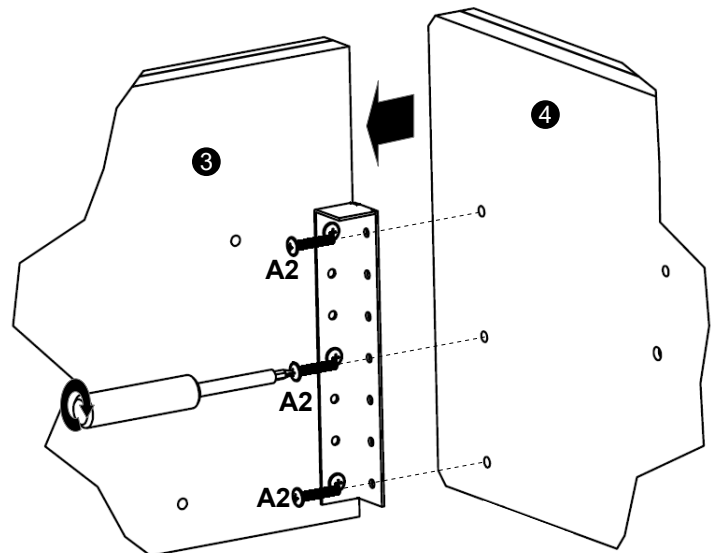
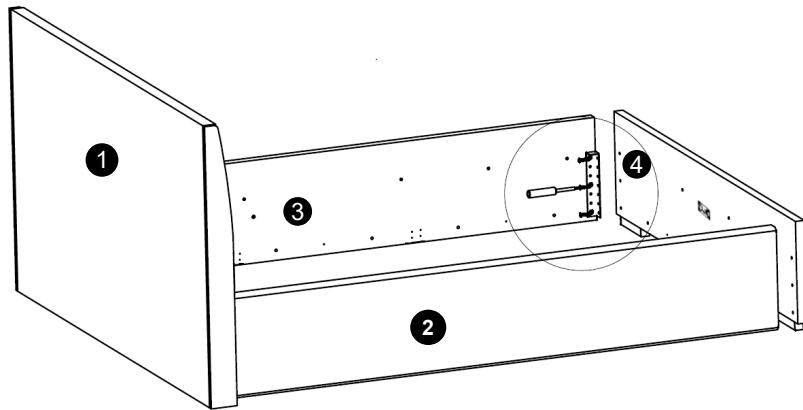
1\_6

A2 x3  
WP M6x35



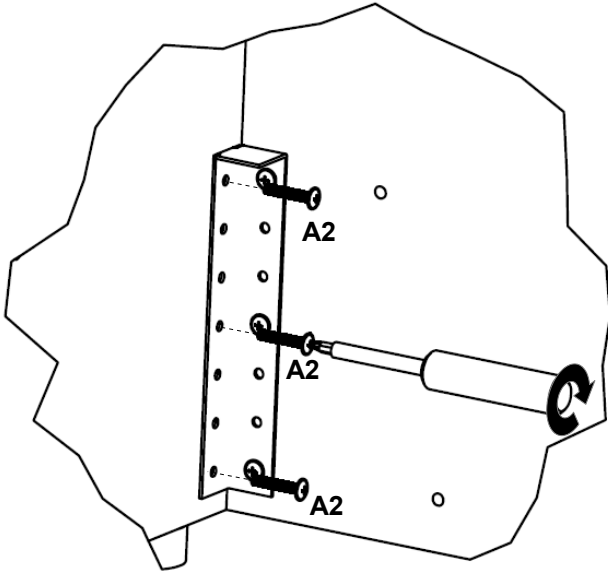
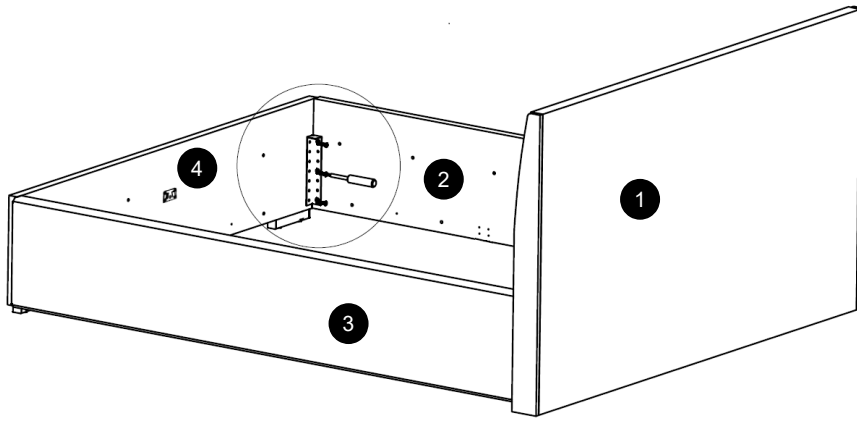
1\_7

A2 x3  
WP M6x35



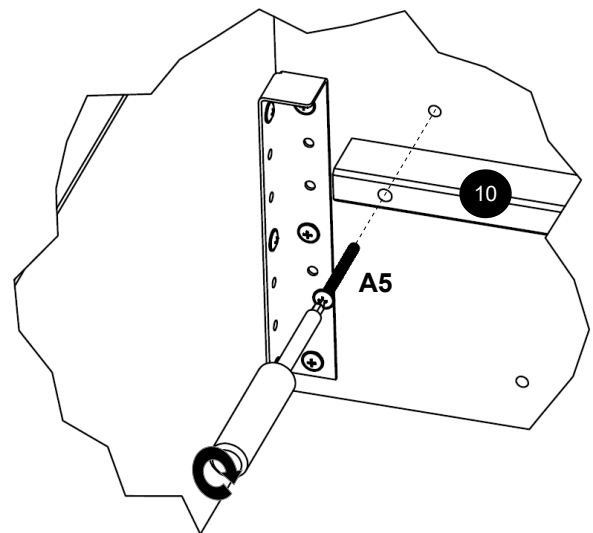
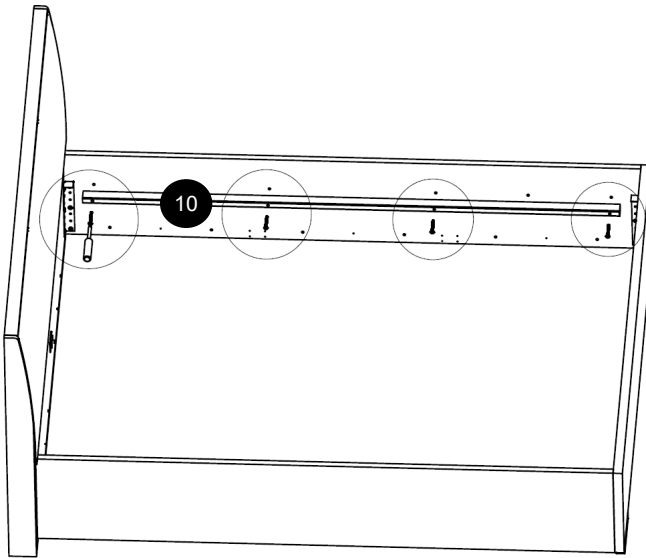
1\_8

A2 x3  
WP M6x35



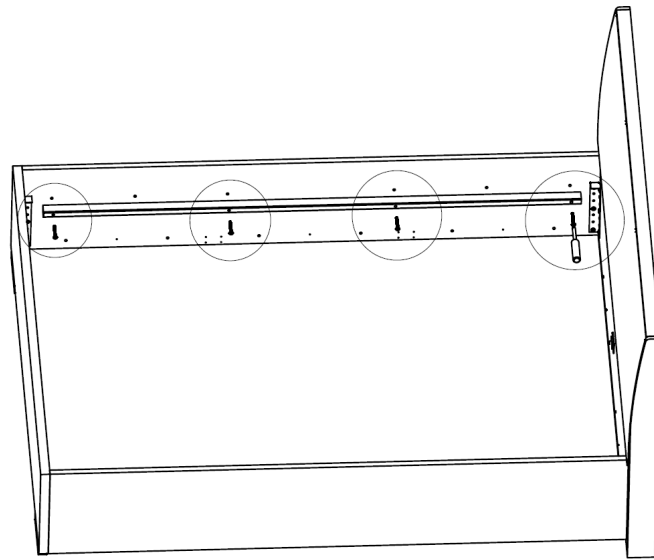
1\_9

A5 x4  
WP M6x60





**1 10**

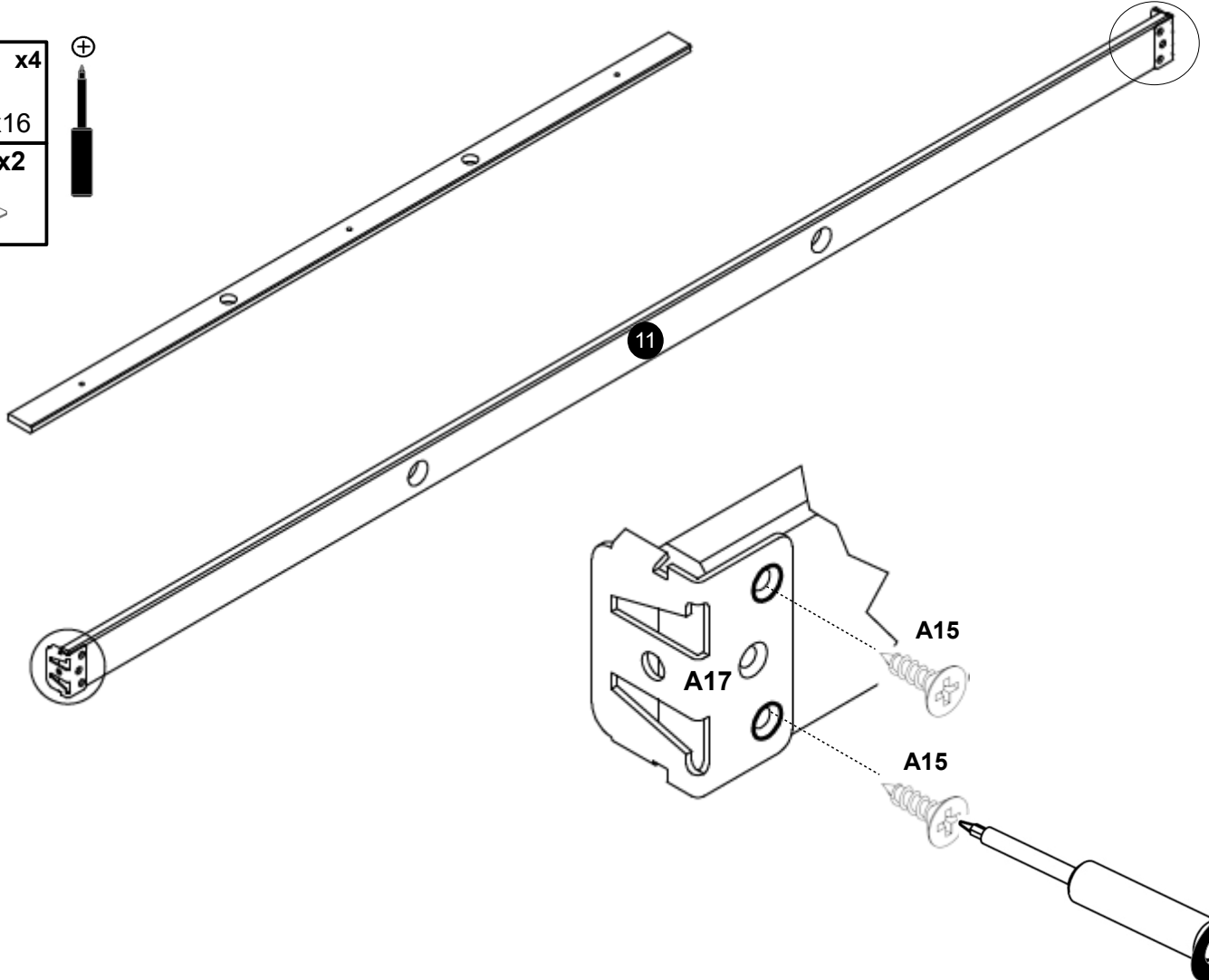
**A5**  **x4**  
**WP M6x60**



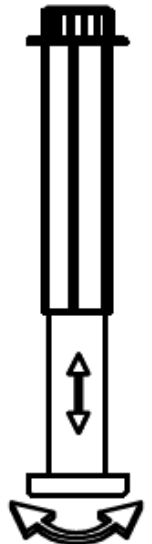
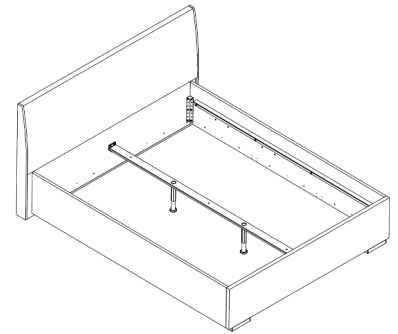
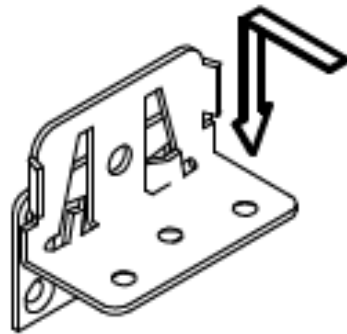
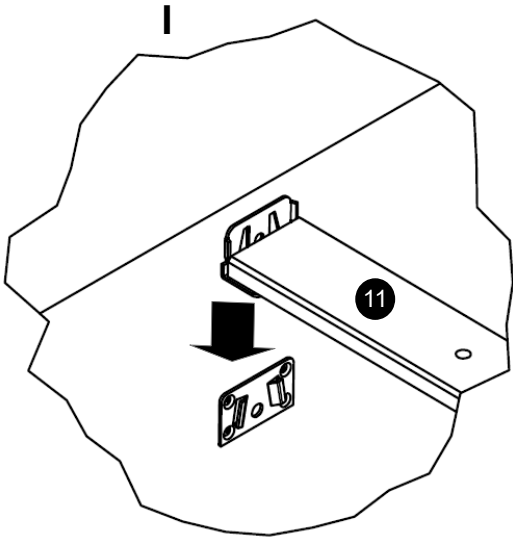
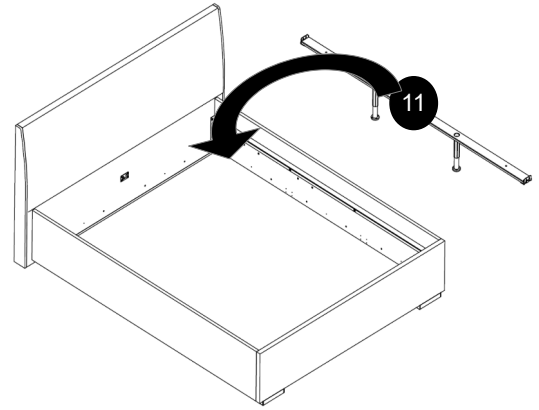
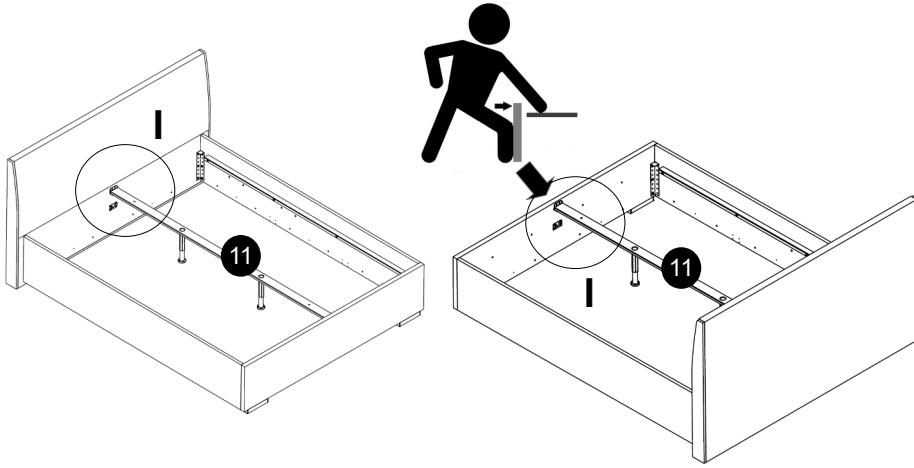
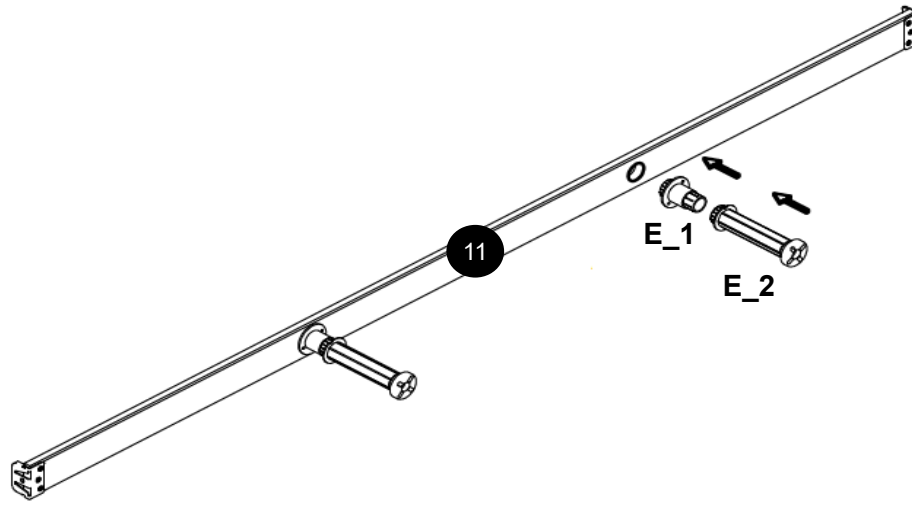
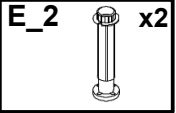
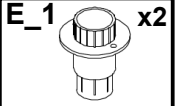
**1 11**

**A15**  **x4**  
**US 3,5x16**

**A17** **x2**  




1 12



A18 x3  
10x40

